

INSTALLATION INSTRUCTIONS FOR ALL NEO ANGLE DESIGNER/SIGNATURE SHOWER DOORS 6MM FRAMELESS AND 4MM FRAMED

GENERAL Do not remove the packers fitted at top and bottom of the door between the door panel and the outer frame until instructed, other packing tapes on the sides of panel 'C' may be removed now. Do not let the door swing open unsupported during installation.

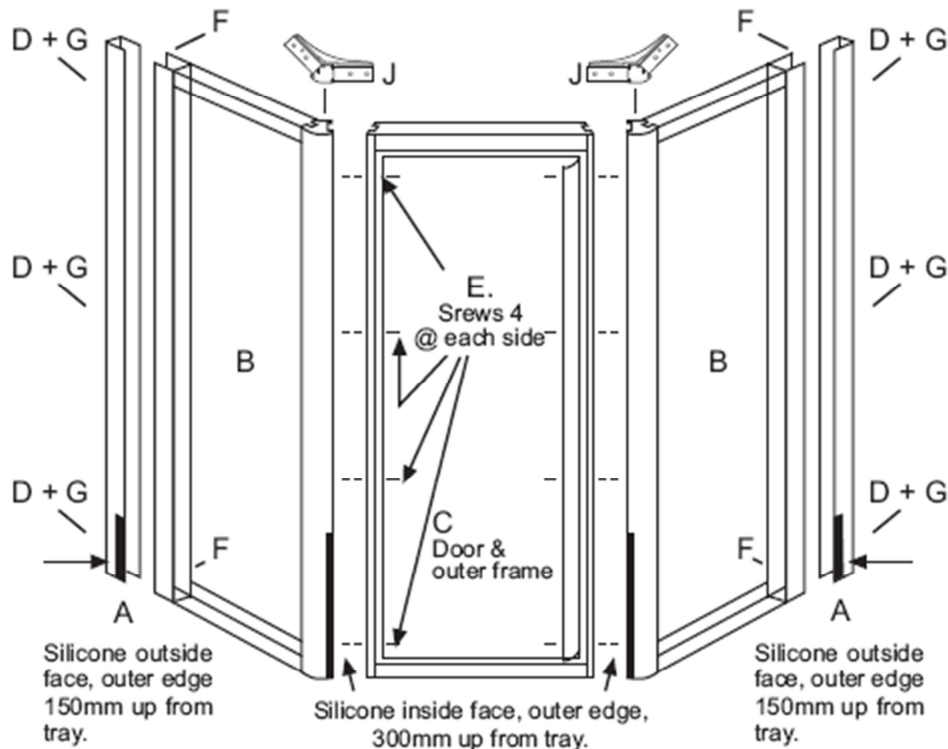


Diagram 1: View from outside door shows pivot on left side, to pivot on opposite side turn panel 'C' over with the outer frame attached. Both side panels are identical and may be placed on either side on the doorway.

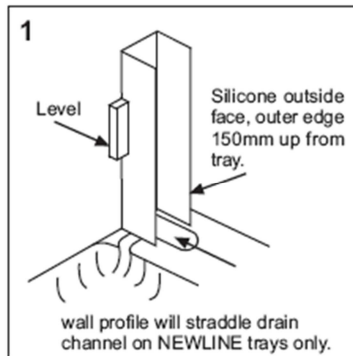
PARTS LIST for 4mm and 6mm doors

A	Wall profiles
	x2
B	Framed glass side panel
	x2
C	Glass door and frame
	x1
H	Screw capping
	x2
	Accessory Pack
	x1

Accessory Pack for 6mm and 4mm door includes:

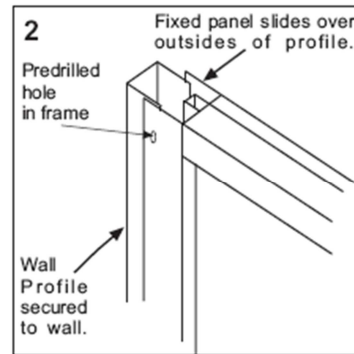
D	#8 x 25mm square drive screws	x6
E&F	#6 x 12mm square drive screws	x12
G	Rawl plugs	x6
J	Top brace	x2
	#6 x 12mm CSK screws (J)	x8
	#6 snap caps	x5
<u>6mm Frameless shower only:</u>		
	Chrome covers	x4
	Clear washers	
	Handle	x1
	Frameless water seal	x1
<u>4mm Framed shower only:</u>		
I	Vinyl door seal	x1

INSTALLING THE FIXED PANEL



STEP 1

Place wall profiles vertically on wall to straddle the drain channel on NEWLINE trays only. Silicone the rear face of the wall profile. Secure to wall with #8 x 25mm square drive screws. Apply silicone to the bottom 150mm, on outside face of profile on outer edge. Solid fixing is preferred. Rawl plugs are supplied in case solid fixing cannot be located.

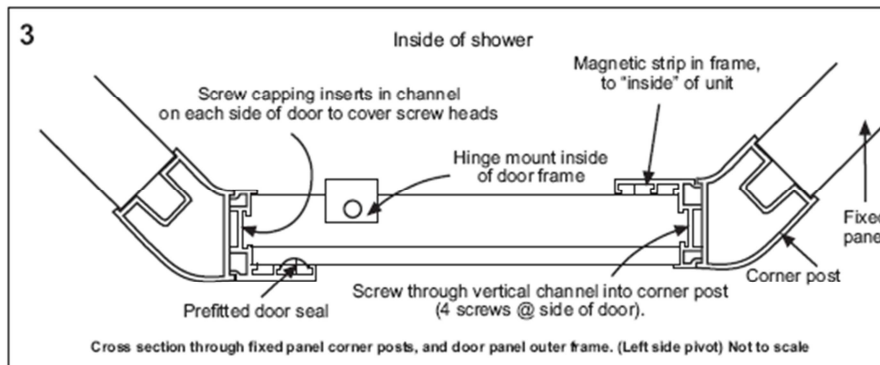


STEP 2

Place fixed panel on tray and slide over the outside of wall profile. Push panel back firmly to wall but do not secure. NOTE: The predrilled holes in the fixed panel (refer Diag 2 above) face the inside of the shower.

INSTALLING THE DOOR AND FRAME

STEP 3

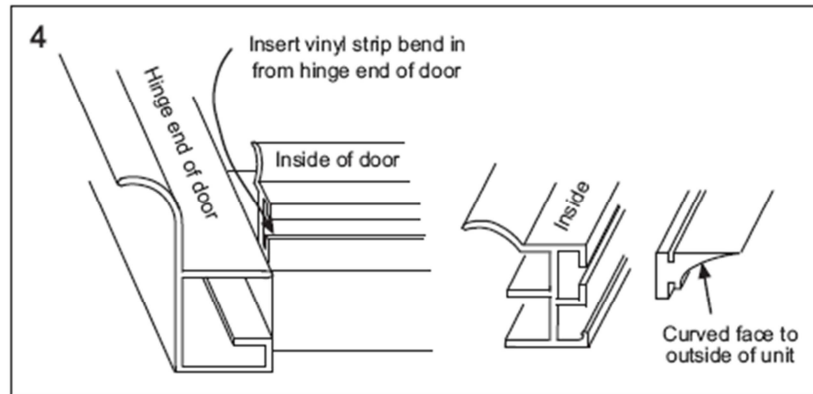


It is necessary to remove the door from its outer frame to complete the installation. Determine which side you would like the door to hinge from. Remember that the hinge blocks on the frame should be on the 'inside' of the door and the door operates by swinging outwards into the bathroom. Cut the tape holding the spacer at the top and bottom of the door. Carefully remove the spacer. Remove the top pivot mounting block from the outer frame and retain the top pivot block and screws. Separate the door and the frame by lifting the door panel off the bottom pivot, or by carefully moving the frame over the door. Put the door to one side.

Place the outer frame on the shower tray between the fixed panels. Check again that:

- a.) The pivot block on the frame is on the inside of the unit and
- b.) That it is on the correct side of the opening.

Ensure that the panels and door frame are in line at top and bottom. Silicone the vertical joint between the outer door frame and the corner post of the fixed panel to a distance of 300mm, refer Diag 1. Silicone on the outer edge only. Fix the frame to the corner posts by drilling into the corner post using the predrilled holes in outer frame as a guide. Use a 3mm drill bit and fix four 6 x 12mm square drive screws to each side of the frame. Locate the two rolled lengths of plastic screw capping and cut to length to fit into the slot to cover the screw heads (refer Diag 3 above). When fitting, press gently into position at several points along the length of the capping, to avoid stretching the material and work from the top down. The two side panels and outer door frame are now resting on the tray but are not secured to the wall profiles.



STEP 4

4mm framed door only Cut an arrowhead on the vinyl seal and insert it in the slot under the bottom edge of the door. Insert from the pivot block end with the curved face of the vinyl seal facing the outside of the unit. Trim to full width of the door with a sharp knife. Avoid excessive stretching of the material as it will shrink back to length and may finish up being too short (Diag 4). Insertion of the seal is greatly assisted by spraying silicone into the slot under the door. Do not spray silicone onto the vinyl as it will become difficult to maintain a grip.

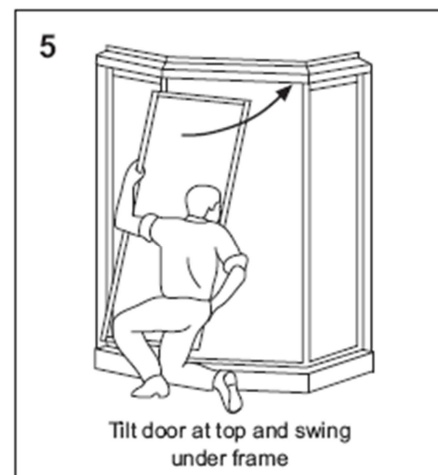
6mm frameless door only Fit the handles to the door pane now. Cut the door seal to butt joint against the pivot block on both sides of the bottom pivot on the bottom edge of the door glass.

STEP 5

WARNING: Do not let the door swing open without being held, as the fixed panels are not yet secured to the wall profiles and the weight of the door may cause the unit to fall forward.

To fit the door first place a 3mm drill, four of the #6 x 12mm square drive screws on the floor of the tray.

Ensure that the screwdriver is easily accessible and that you have the top pivot block and its screws. Standing outside the unit hold the door in the open position and locate the bottom pin into the bottom pivot block. Maintain a firm grip on the door panel at all times. Tilt the top of the panel towards the magnet side of the door to allow sufficient clearance for the top pivot pin to swing inwards under the top of the door frame, place the top pivot block onto the top pivot pin. Step into the



shower and close the door into place on the magnet (Diag 5). Maintain a grip on the door panel and the top of the frame. Relocate the top pivot block in position, making sure the door closes on the magnet and tighten the screws.

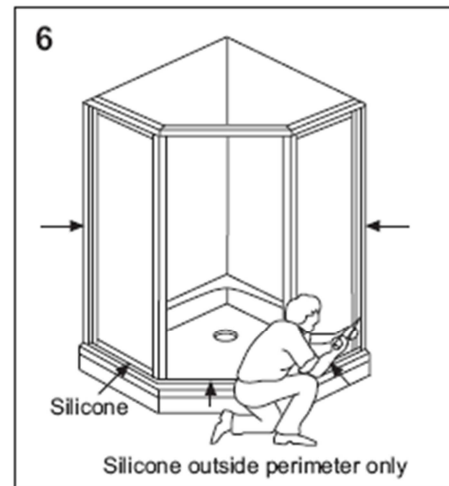
WARNING: Do not let the door swing open without being held, as the fixed panels are not yet secured to the wall profiles and the weight of the door may cause the unit to fall forward.

STEP 6

Align the panels and door parallel with the sides and front of the tray. Check the magnet visually to ensure it is in contact down the length of the door and that the door is parallel with and has an even gap between the door and bottom rail. Secure the side panels by drilling through the panels onto the wall profiles. Use a 3mm drill bit. Fix with two of the #6 x 12mm square drive screws to each side at top and bottom.

Check that the door swings freely and adjust on the pivot block if required. Tighten all screws including those on the door glass clamps. Insert top braces (J) into the top of each fixed panel corner post. The braces are not interchangeable and fit each side independently. Secure in place by drilling through the holes on the centreline of the extrusions and fixing with 3 or 4 of the #6 x 12mm CSK

screws to each side. Silicone around the external perimeter of the unit. Do not silicone inside the unit and do not silicone the fixed panels to the wall profiles other than as directed in STEP 1. Allow 24hrs for silicone to cure before using the unit (Diag 6).



STEP 7

Should the magnet fail to hold door closed check both magnets are in contact 100% across the width of both magnets, if not, adjust door glass on hinges. If this does not solve the problem remove the nylon retainer from the top of the magnetic strip on the door only, remove the magnetic strip, turn 180° (top to bottom) and refit.

STEP 8

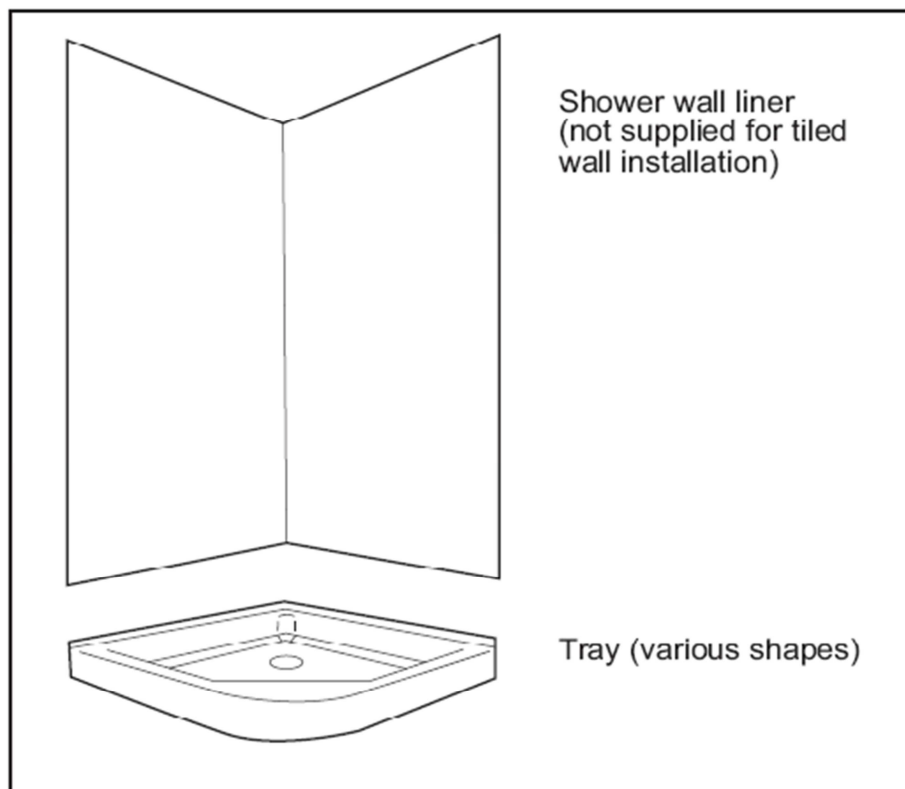
6mm frameless door only Push fit the four chrome pivot block covers in position on the glass clamps, to cover screw heads. Cut and fit the splashguard to the bottom of the door in two pieces, one on each side of and butting against the chromed pivot cover.

INSTALLATION INSTRUCTIONS FOR ACRYLIC TRAY AND WALL LINER ALL 2 SIDED UNITS

Working with the materials Newline shower surfaces are acrylic. Care should be taken not to chip or scratch the surface while working.

Drilling Use twist drills or hole saws suitable for wood. The work must be well supported on both sides around the hole to be drilled. Sharp drills are essential to achieve a clean cut.

Cutting This is not normally necessary. Small corrections can be made by carefully trimming the shower wall liner edges with a sharp plane. Cut using a sharp circular saw or table saw with its blade set to the material thickness and with the work well supported by a piece of waste sheet material.



PARTS LIST

Newline Acrylic Shower Tray	x1
Newline Acrylic Wall Liner	x1
Maxbond – glue for tray	x1
Shower Bond – glue for wall	
- > 1000x1000 unit	x3
- < 1000x1000 unit	x2
Silicone	x1

EQUIPMENT REQUIRED (not supplied)

Pencil

Tape measure

Knife or small saw for cutting the wallboard

Jigsaw for cutting waste hole. This could also be done using a power drill fitted with a hole saw or by drilling a series of small holes in a circle.

Rags for cleaning away any excess glue

BEFORE YOU BEGIN:

Refer to STEP 1 and read the instructions in full.

Wallboard:

Newline Shower trays can be installed before or after the site has been lined with wall board.

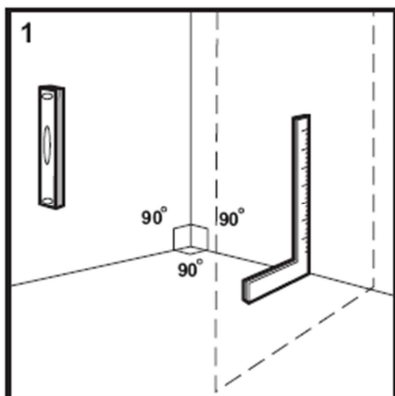
Plumbing: The plumbing for the shower should be installed prior to shower installation. Check with your plumber regarding access for connecting the waste once installed.

IMPORTANT: Tray must be glued and fully supported to within 50mm of the waste outlet.

Silicone seal between wall liner and tray at outer ends of tray upstand. See instruction Diagram 9.

Care & Cleaning: Newline shower surfaces are acrylic. Scourers and abrasive cleaners will scratch the surfaces of your Newline shower. Under no circumstances use solvents or solvent based cleaners.

SITE PREPARATION



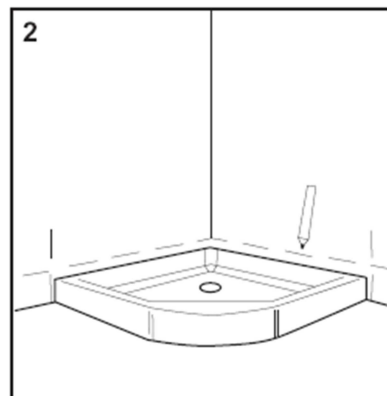
STEP 1

Squareness Check all angles and levels. It is essential that the walls and floor are true, square and plumb. If not, you may need to correct this by adjusting or packing out where necessary.

Clean surfaces Make sure that the gluing surfaces of the tray, shower wall liner, floor and wallboard are smooth and free from oil, grease, dust or dirt before gluing.

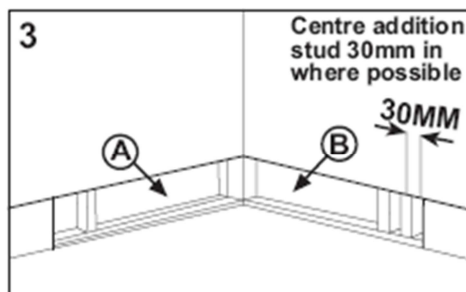
If levelling compound has been used on the floor to create an even surface for the tray, check that levelling compound has adhered well to the floor, prior to gluing the tray in position as in STEP 5.

INSTALLING THE TRAY



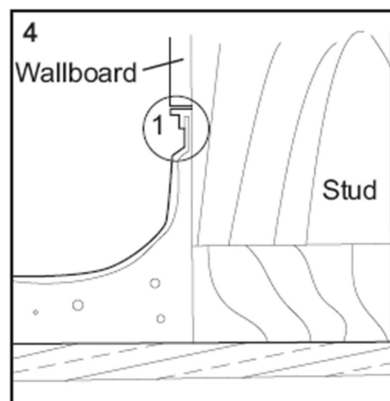
STEP 2

Marking the walls Push the tray firmly into its corner position against the wall lining. Mark the entire outline of the tray onto the walls.



STEP 3

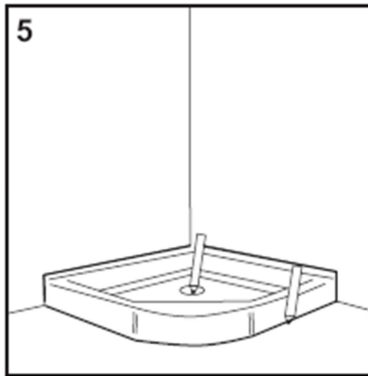
Cutting the wallboard Remove tray and cut away wallboard, just outside the marked line illustrated. Nog between studs to offer additional support to tray and wallboard along Line A. If wallboard has not been fitted, it is recommended an additional stud be added to the framing timbers, with its centre 30mm inside the line marking the outer edge of the tray.



STEP 4

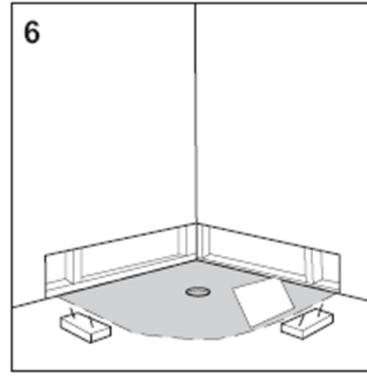
Dry fitting the shower tray Reposition the tray in the cutaway and firmly against the studs making sure that the lip of the tray is flush with the wallboard surface. Detail 1 above.

INSTALLING THE SHOWER WALL LINER



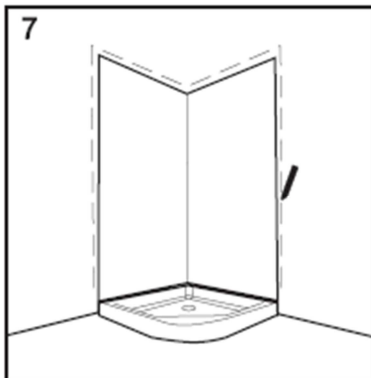
STEP 5

Marking the tray Mark the position of the waste hole onto the floor. Cut the correct size hole in the floor to give clearance for the waste being fitted. The hole cut will be bigger than that marked usually by 15-20mm. The underside of the tray should be fully supported to within 50mm of the waste. Do not remove foam from the underside of the tray.



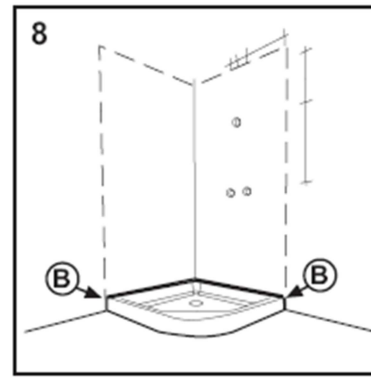
STEP 6

Gluing the tray Check with your plumber that the waste pipe can be connected once the tray is glued in position. Apply Maxbond to the underside of the tray. Use 5mm beads of glue in lines at 60mm centres over the entire tray. Place the tray into position again making sure that the lip of the tray is flush with the wallboard (Diag 4). Fix temporary chocks to the floor around the edge of the tray and hold it in position with weights while the glue sets. Clean up any excess glue with white spirits. Allow 24hrs drying then remove chocks and weights.



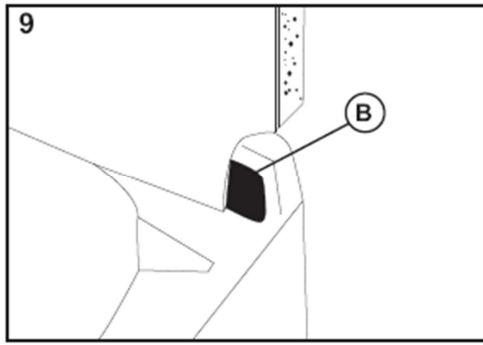
STEP 7

Dry fitting and marking the wall liner Stand the shower wall liner in position pushing into the corner firmly. The shower wall liner should rest on the small ledge in the rear corner of the tray and on top of the tray step, at the front of each side wall. The vertical outside edges of the shower wall liner should also line up with the edges of the tray. Mark the wallboard around the outside of the shower wall liner. Trim the bottom edge of the liner if necessary to achieve a snug fit.



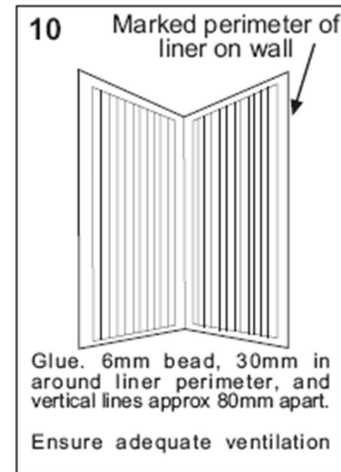
STEP 8

Marking for plumbing Remove the shower wall liner. Measure the centres for the shower rose and controls from the lines you marked on the wallboard. Transfer these measurements to the shower wall liner and drill appropriate sized holes. Sand the rear surface of the shower wall liner with a heavy grit sandpaper to assist adhesion and dust off. Refit the shower wall liner to check hole positions. Do not glue to plaster or painted walls



STEP 9

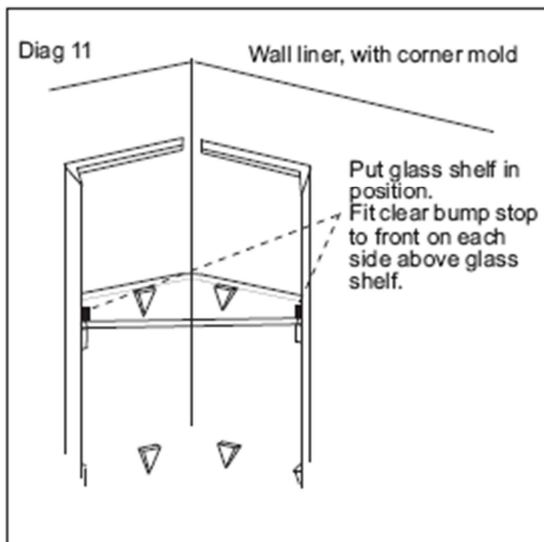
Gluing shower wall liner Prior to gluing the shower wall lining in place apply enough silicone to seal the gap at Point B between wall and tray. Sealant is only required on the raised block at the external corner of the tray upstand. Enough sealant should be applied to ensure it will squeeze out and under the wall liner/tray joint as walls are glued on (see Diag 10 for recommended gluing pattern).



STEP 10

Glue Pattern

Cut the nozzle on the Shower Bond cartridge to allow a 6mm raised bead of glue. Apply a bead 30mm inside the pencil line marking the perimeter of the liner (Diag 10). Starting on the shower rose wall apply vertical lines of adhesive in a 6mm bead at intervals of 80mm. Refit liner to the marks and starting at the back corner, work from the centre out and compress to ensure ripples are expelled from the glue lines. Push firmly with a soft cloth. Brace if necessary. Clean excess glue with white spirits. Allow 24hrs to dry and remove plastic protective film.



STEP 11

Fitting glass shelves to wall liners with a corner moulding Place the shelf in position and apply a self adhesive bump stop to the moulded shower wall, on the front edge only. Place hard down on to the top of the glass, refer Diag 11.