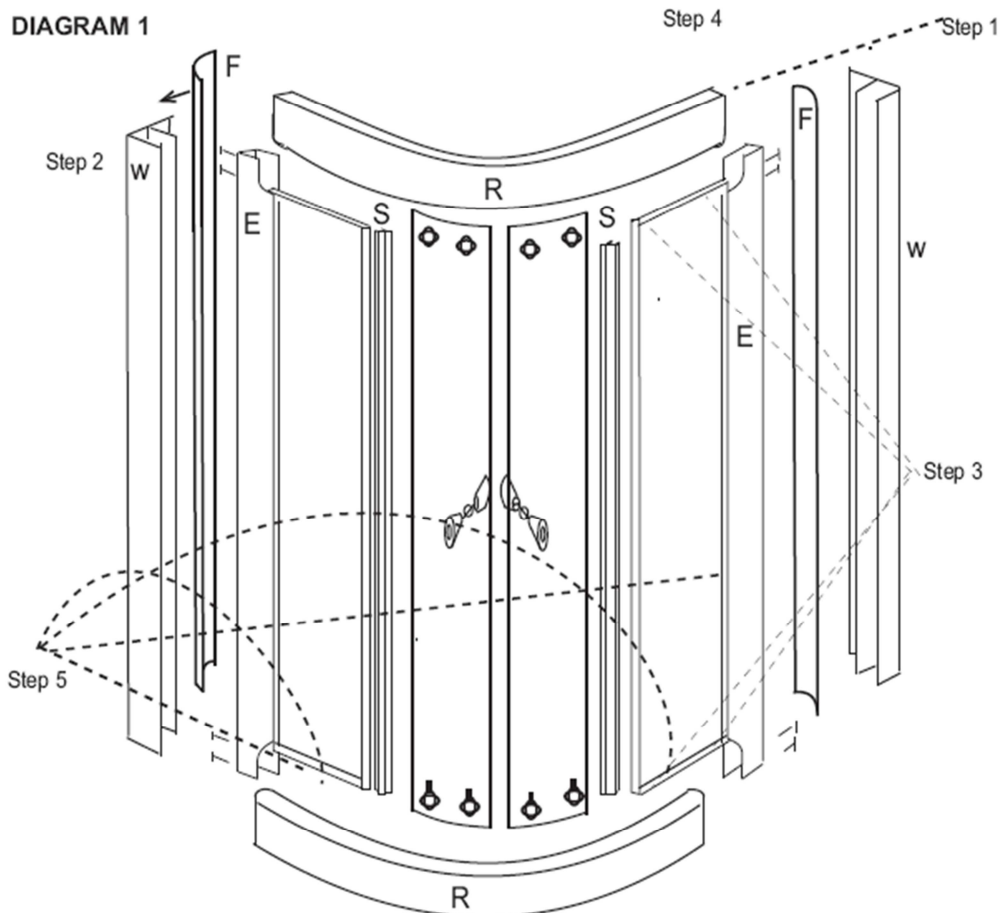


INSTALLATION INSTRUCTIONS FOR DELTA AND RIVIERA ROUND DOOR

GENERAL These doors can be fitted to acrylic and tile trays. Curved rails (R) are inserted into and screwed to the vertical rails (E). The wall profiles (W) are pushed onto the partially assembled frame and then the frame is positioned on the tray. Wall profiles (W) are plumbed, marked for position, siliconed and secured to the side walls. Flat glass is inserted into (E) and fixed to top and bottom rails. The frame is positioned parallel with the tray front, part (W) is siliconed and fixed to the walls. Door rollers and magnets are fitted, doors are hung and adjusted and seals are fitted to fixed panels. The unit is then siliconed in one continuous bead on the outside of the shower. Shower trays should be level and walls should be plumb before installation is attempted.



PARTS LIST

R	Curved rails	x2		
E	Side rails	x2		
W	Wall profiles	x2	<i>Accessory Pack includes:</i>	
	Rectangular glass panels	x2	Lengths glazing bead wedge	x1
	Curved glass door panels	x2	Door knobs	x2
	Magnetic strips for door panels	x2	Wheel assemblies (4 top, 4 bottom)	x8
S	Rigid vertical water seals for flat panels	x2	#6 x 25mm pan head screws	x14
F	Curved aluminium infill screw cover caps		#6 x 10mm screws	x4
	1850mm long	x2	#6 x 12mm pan head screws	x4
	Accessory Pack	x1	Rawl plugs	x6

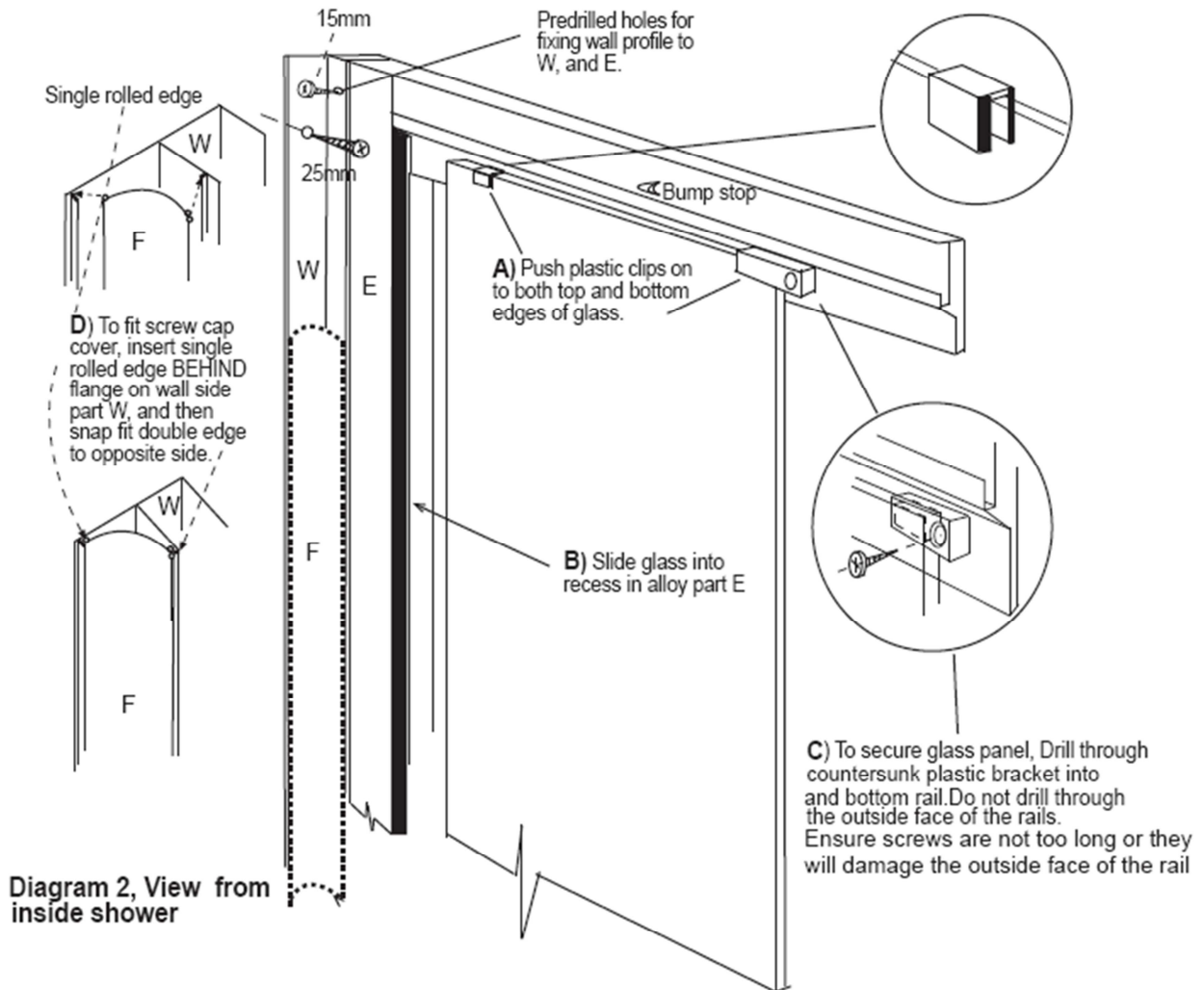
SHOWER DOOR FITTING INSTRUCTIONS

Refer to Diag 1 for STEPS 1-5.

STEP 1 Fit the predrilled rails (R) to side rails (E) using eight of the #6 x 25mm pan head screws.

STEP 2 Push fit wall profiles (W) on to each side of the shower frame (E). Place frame in position evenly around the shower tray. Plumb wall profiles on each side. Mark the hole positions. Drill into solid fixing if possible and secure (W) with the remaining six #6 x 25mm pan head screws. If no solid fixing is available use rawl plugs provided. Silicone between wall profile and wall liner before final fixing. Check the curved rail is parallel and even on the tray. Adjust position if required.

STEP 3 Place plastic clips onto the rectangular panels as shown at (A) in Diag 2 on the next page, place in position so that the safety glass standard marks are at the bottom. Place glass in position between the top and bottom rails, on the inside of the shower. Slide the glass into vertical open slot in extrusion (E). See enlargement Diag 2 (B). Fix at top and bottom on outer edge of each panel. Make sure screws are not too long, or they will damage the outside face or the rail when fixing. Refer Diagram 2C.



STEP 4 Align the curved panels with the holes for the door handle in the centre adjacent to each other. Fit the roller assemblies to the outside curve of the glass. Roller assembly packets are labelled 'top' and 'bottom'. Fit top rollers with the Phillips head adjusting screw, facing downwards towards the door handle. Bottom roller assemblies are spring loaded with the button facing up, towards the door handle. After fitting the rollers hang the door glass on top rail (R) in between the prefitted bump stops. Let the door hang on the top rollers. Take note of the position of the bottom rollers, both rollers should be resting against the rail. If they are not, turn the adjusting screws on the top rollers, until both bottom wheels rest against the bottom rail. Push down on the spring loaded pin in the bottom set of wheels and locate the rollers under the lip in the bottom track. Fit the magnetic seal to the centre of the doors. Adjust the wheel assembly to ensure the doors meet evenly on the magnets grip. **The rollers should be lubricated with a silicone spray periodically when in use to ensure good running order is maintained.**

STEP 5 Fit the glazing wedge vertically between the glass and extrusion (E) and between the glass and rail (R) along the bottom edge, on the outside of the shower, or alternatively use clear silicone to seal the joint.

STEP 6 Secure the side rails (E) to the wall profile (W) at top and bottom with #6 x 12mm pan head screws. Snap fit the curved aluminium filler strip (F) to cover the mounting screws in the wall and the screws just fitted into (E). The curve on the alloy follows the curve of the glass (concave). Fit the single rolled edge behind the flange on the wall side of part (W), then snap fit the double rolled edge against the door/frame side refer (D) on Diag 2 on the next page.

STEP 7 Silicone the outer perimeter of the unit to the wall liner and the tray in one continuous bead on the outside of the shower.

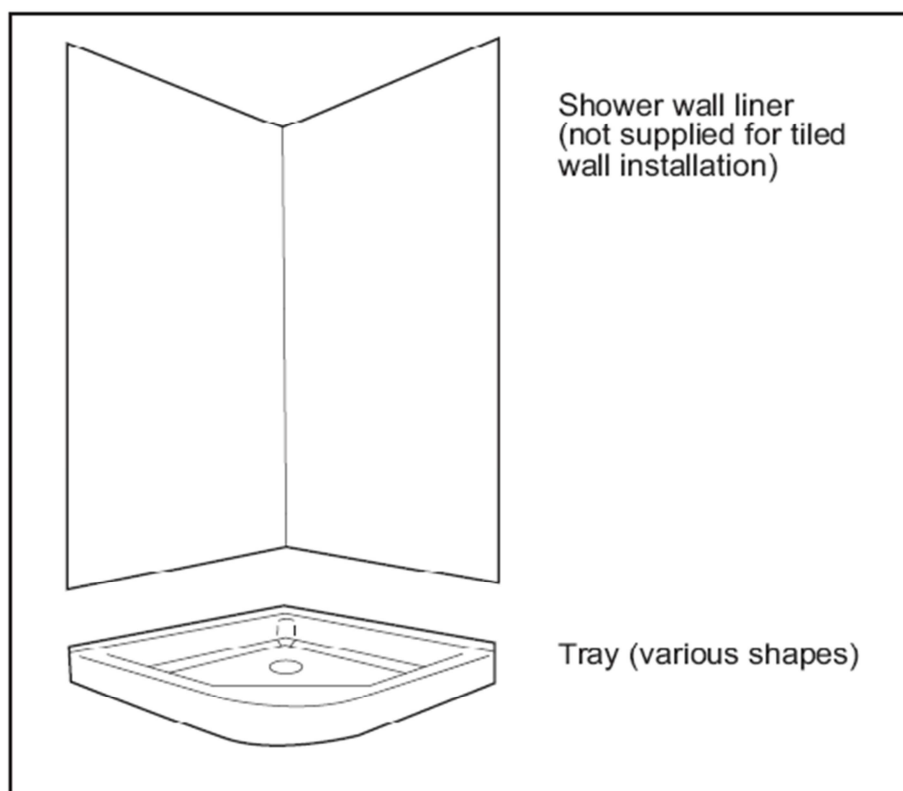
STEP 8 Fit chrome door knobs supplied in accessory pack.

INSTALLATION INSTRUCTIONS FOR ACRYLIC TRAY AND WALL LINER ALL 2 SIDED UNITS

Working with the materials Newline shower surfaces are acrylic. Care should be taken not to chip or scratch the surface while working.

Drilling Use twist drills or hole saws suitable for wood. The work must be well supported on both sides around the hole to be drilled. Sharp drills are essential to achieve a clean cut.

Cutting This is not normally necessary. Small corrections can be made by carefully trimming the shower wall liner edges with a sharp plane. Cut using a sharp circular saw or table saw with its blade set to the material thickness and with the work well supported by a piece of waste sheet material.



PARTS LIST

Newline Acrylic Shower Tray	x1
Newline Acrylic Wall Liner	x1
Maxbond – glue for tray	x1
Shower Bond – glue for wall	
- > 1000x1000 unit	x3
- < 1000x1000 unit	x2
Silicone	x1

EQUIPMENT REQUIRED (not supplied)

Pencil

Tape measure

Knife or small saw for cutting the wallboard

Jigsaw for cutting waste hole. This could also be done using a power drill fitted with a hole saw or by drilling a series of small holes in a circle.

Rags for cleaning away any excess glue

BEFORE YOU BEGIN:

Refer to STEP 1 and read the instructions in full.

Wallboard:

Newline Shower trays can be installed before or after the site has been lined with wall board.

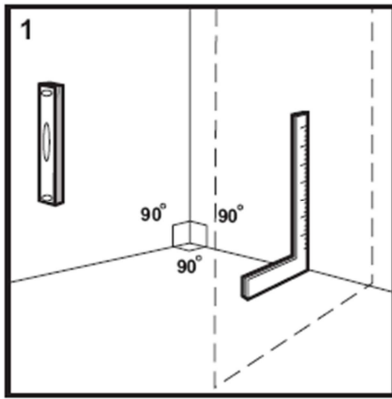
Plumbing: The plumbing for the shower should be installed prior to shower installation. Check with your plumber regarding access for connecting the waste once installed.

IMPORTANT: Tray must be glued and fully supported to within 50mm of the waste outlet.

Silicone seal between wall liner and tray at outer ends of tray upstand. See instruction Diagram 9.

Care & Cleaning: Newline shower surfaces are acrylic. Scourers and abrasive cleaners will scratch the surfaces of your Newline shower. Under no circumstances use solvents or solvent based cleaners.

SITE PREPARATION



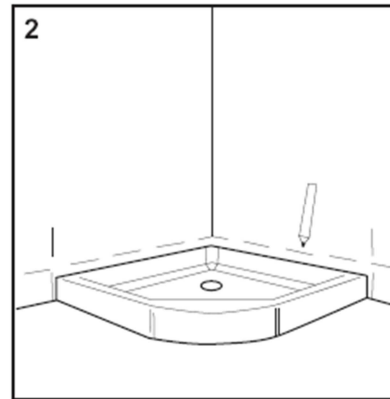
STEP 1

Squareness Check all angles and levels. It is essential that the walls and floor are true, square and plumb. If not, you may need to correct this by adjusting or packing out where necessary.

Clean surfaces Make sure that the gluing surfaces of the tray, shower wall liner, floor and wallboard are smooth and free from oil, grease, dust or dirt before gluing.

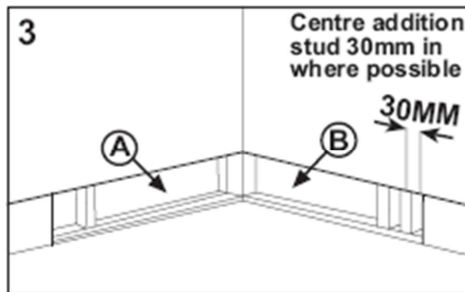
If levelling compound has been used on the floor to create an even surface for the tray, check that levelling compound has adhered well to the floor, prior to gluing the tray in position as in STEP 5.

INSTALLING THE TRAY



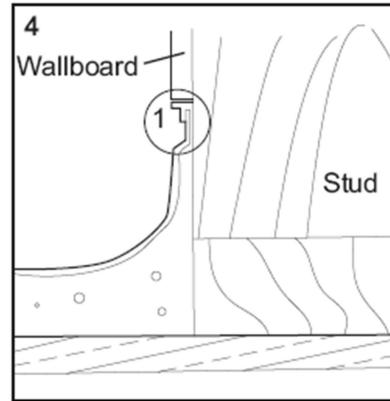
STEP 2

Marking the walls Push the tray firmly into its corner position against the wall lining. Mark the entire outline of the tray onto the walls.



STEP 3

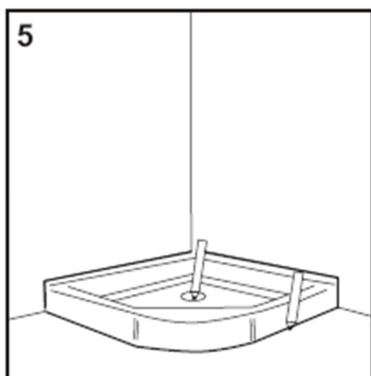
Cutting the wallboard Remove tray and cut away wallboard, just outside the marked line illustrated. Nog between studs to offer additional support to tray and wallboard along Line A. If wallboard has not been fitted, it is recommended an additional stud be added to the framing timbers, with its centre 30mm inside the line marking the outer edge of the tray.



STEP 4

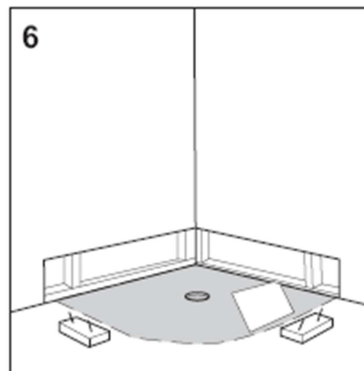
Dry fitting the shower tray Reposition the tray in the cutaway and firmly against the studs making sure that the lip of the tray is flush with the wallboard surface. Detail 1 above.

INSTALLING THE SHOWER WALL LINER



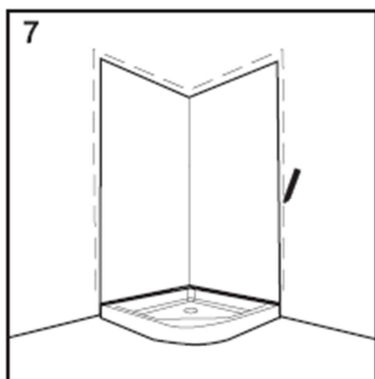
STEP 5

Marking the tray Mark the position of the waste hole onto the floor. Cut the correct size hole in the floor to give clearance for the waste being fitted. The hole cut will be bigger than that marked usually by 15-20mm. The underside of the tray should be fully supported to within 50mm of the waste. Do not remove foam from the underside of the tray.



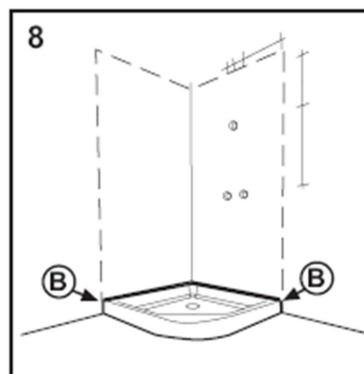
STEP 6

Gluing the tray Check with your plumber that the waste pipe can be connected once the tray is glued in position. Apply Maxbond to the underside of the tray. Use 5mm beads of glue in lines at 60mm centres over the entire tray. Place the tray into position again making sure that the lip of the tray is flush with the wallboard (Diag 4). Fix temporary chocks to the floor around the edge of the tray and hold it in position with weights while the glue sets. Clean up any excess glue with white spirits. Allow 24hrs drying then remove chocks and weights.



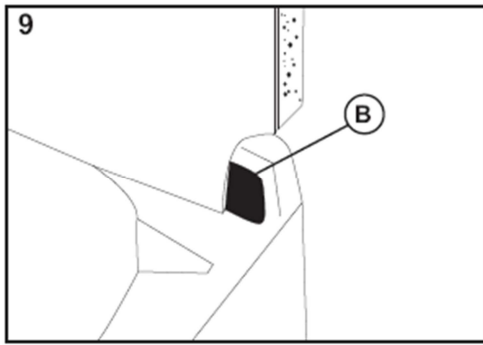
STEP 7

Dry fitting and marking the wall liner Stand the shower wall liner in position pushing into the corner firmly. The shower wall liner should rest on the small ledge in the rear corner of the tray and on top of the tray step, at the front of each side wall. The vertical outside edges of the shower wall liner should also line up with the edges of the tray. Mark the wallboard around the outside of the shower wall liner. Trim the bottom edge of the liner if necessary to achieve a snug fit.



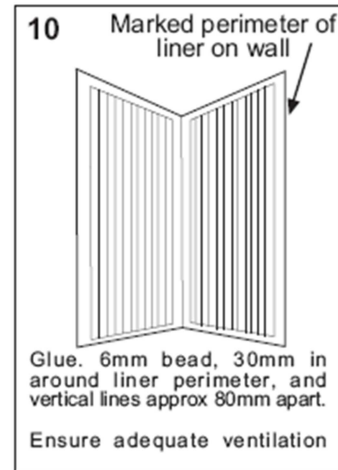
STEP 8

Marking for plumbing Remove the shower wall liner. Measure the centres for the shower rose and controls from the lines you marked on the wallboard. Transfer these measurements to the shower wall liner and drill appropriate sized holes. Sand the rear surface of the shower wall liner with a heavy grit sandpaper to assist adhesion and dust off. Refit the shower wall liner to check hole positions. Do not glue to plaster or painted walls



STEP 9

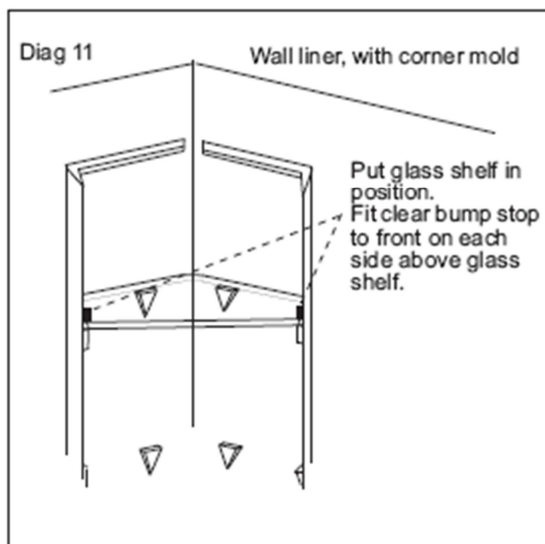
Gluing shower wall liner Prior to gluing the shower wall lining in place apply enough silicone to seal the gap at Point B between wall and tray. Sealant is only required on the raised block at the external corner of the tray upstand. Enough sealant should be applied to ensure it will squeeze out and under the wall liner/tray joint as walls are glued on (see Diag 10 for recommended gluing pattern).



STEP 10

Glue Pattern

Cut the nozzle on the Shower Bond cartridge to allow a 6mm raised bead of glue. Apply a bead 30mm inside the pencil line marking the perimeter of the liner (Diag 10). Starting on the shower rose wall apply vertical lines of adhesive in a 6mm bead at intervals of 80mm. Refit liner to the marks and starting at the back corner, work from the centre out and compress to ensure ripples are expelled from the glue lines. Push firmly with a soft cloth. Brace if necessary. Clean excess glue with white spirits. Allow 24hrs to dry and remove plastic protective film.



STEP 11

Fitting glass shelves to wall liners with a corner moulding Place the shelf in position and apply a self adhesive bump stop to the moulded shower wall, on the front edge only. Place hard down on to the top of the glass, refer Diag 11.