

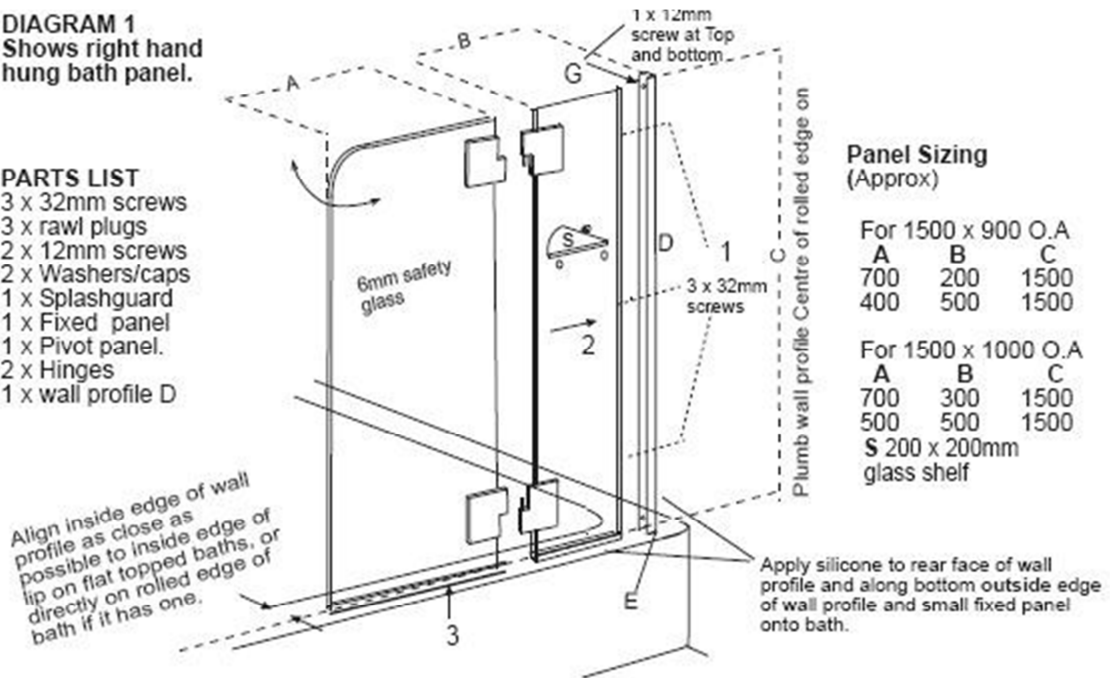
INSTALLATION INSTRUCTIONS FOR GALAXY BATH PANEL

GENERAL These doors can be fitted to the edge of acrylic or tiled baths. The bottom edge of the fixed panel must be supported on the bath. Where the bath has a flat surface the unit should be installed as close as possible toward the inside edge of the bath and where the bath has a rolled edge, the fixed panel should be placed directly above and be siliconed to the rolled edge. Do not attempt to suspend the unit above the bath, the bottom edge of the fixed panel must contact the bath surface. Panels only open outward from the bath. Specify right or left hand hung, when viewed from outside of bath.

DIAGRAM 1
Shows right hand
hung bath panel.

PARTS LIST

3 x 32mm screws
3 x rawl plugs
2 x 12mm screws
2 x Washers/caps
1 x Splashguard
1 x Fixed panel
1 x Pivot panel.
2 x Hinges
1 x wall profile D



Panel Sizing
(Approx)

For 1500 x 900 O.A		
A	B	C
700	200	1500
400	500	1500

For 1500 x 1000 O.A		
A	B	C
700	300	1500
500	500	1500
S 200 x 200mm glass shelf		

NB. The bath panel must rest on and be supported by the surface of the bath. Do not suspend the panel above the bath surface.

- STEP 1** Make sure you have received the correct panel. Panels swing open outwards and are assembled at the factory to order, to fit either the right or left hand end of the bath when viewed from the outside.
- STEP 2** Check the edge of the bath.
On baths with a flat edge, place the wall profile on the end wall as close as possible to the inside edge of the bath.
If the bath has a raised or rolled edge along the outside, place the wall profile centred over the rolled edge. Plumb the wall profile to the wall and mark its position with a pencil.
- STEP 3** Drill through the wall profile into solid fixing in the wall. If no solid fixing can be found, use rawl plugs provided. Silicone the back of the wall profile and screw it to the wall. Silicone the bottom **outside** edge of the wall profile onto the bath at point (E).
- STEP 4** Slide the assembled glass panels into the wall profile (D) and down into position on the bath edge. Make sure the bottom edge of the pivot panel is parallel with the bath surface and operates freely. Secure panel to the wall profile (D) with 12mm screws at the top and bottom of the wall profiles on the inside of the unit (see position G, in Diagram 1). Silicone the bottom outside edge of the small fixed panel, to the bath.
- STEP 5** Fit the splash guard to the bottom edge of the pivot panel. (refer Point 3 Diagram 1)