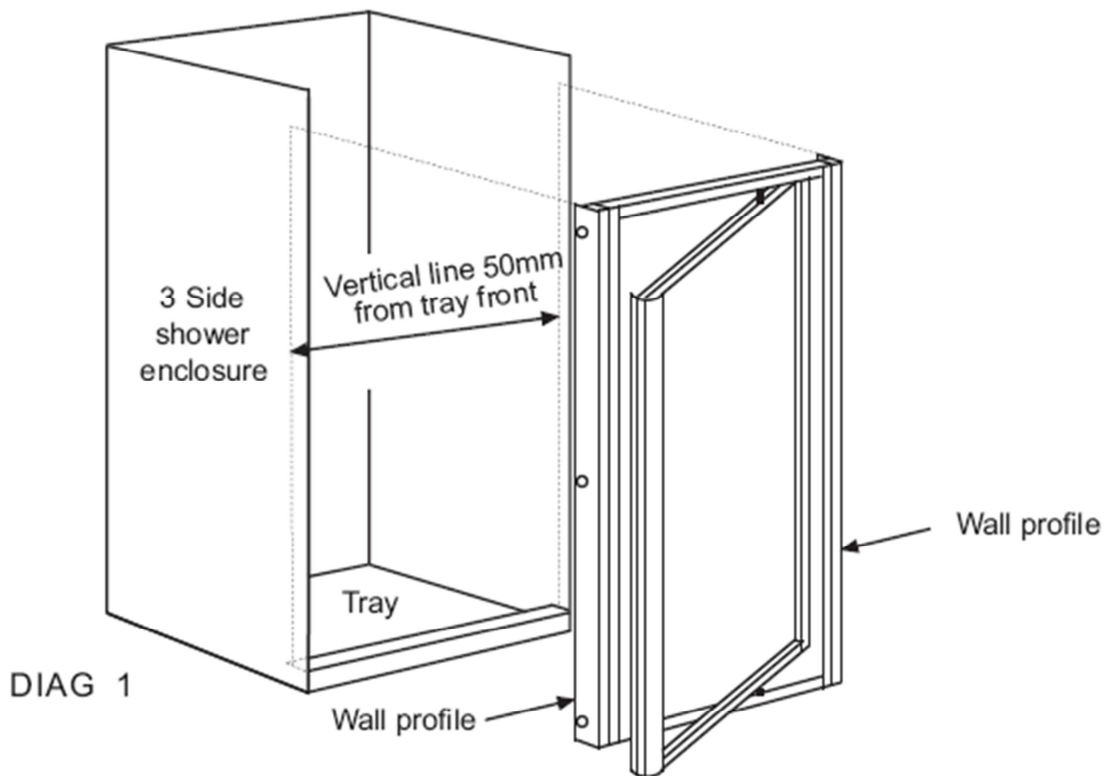


INSTALLATION INSTRUCTIONS FOR ALL 3 SIDED DESIGNER/SIGNATURE SHOWER DOORS 6MM FRAMELESS AND 4MM FRAMED

GENERAL Do not remove the tapes holding the spacer in position at the top and bottom of the door until instructed. Do not let the door swing open unsupported during installation.



PARTS LIST for 4mm and 6mm doors

Wall profiles	x2
Glass door and frame	x1
Accessory Pack	x1

Accessory Pack for 6mm and 4mm door includes:

#8 x 25mm square drive screws	x6
#6 x 12mm square drive screws	x4
Rawl plugs	x6
#6 snap caps	x4
#8 snap caps	x6

6mm Frameless shower only:

Chrome covers	x4
Grommets	x1
Handle	x1
Frameless water seal	x1

4mm Framed shower only:

Vinyl door seal	x1
-----------------	----

INSTALLATION INSTRUCTIONS

STEP 1

If fitting a Newline acrylic shower unit, plumb and mark a vertical line in pencil on each side wall of the shower enclosure 50mm in from the front edge of the tray. Remove each wall profile from door frame and position each profile to the outside of the lines and mark the position of the three screw holes on each side wall. Drill 3mm holes into solid fixing or fit the rawl plugs provided using a 6.0mm drill. Do not screw the profiles in place. If fitting this door frame to an enclosure not manufactured by Newline Bathroomware, place the frame as close to the inside of the sill as possible.

STEP 2

Determine which side of the unit the hinge is required and make sure the pivot blocks are on the inside of the unit. Replace the profiles into the channels on each side of the door, making sure they are on the correct sides for the marks placed on the wall liner. Do not secure the profiles to the door frame yet.

STEP 3

Place a screwdriver, a 3mm drill and the four #6 x 12mm screws inside the shower on the floor of the tray. Stand inside the shower and lift the complete unit up onto the bottom sill of the shower tray. Carefully align the profiles to the holes drilled and secure with the #8 x 25mm square drive screws provided. Start at the top on each side. The packers at the top and bottom of the door should still be in place and should maintain the required gap between the door and its outer frame.

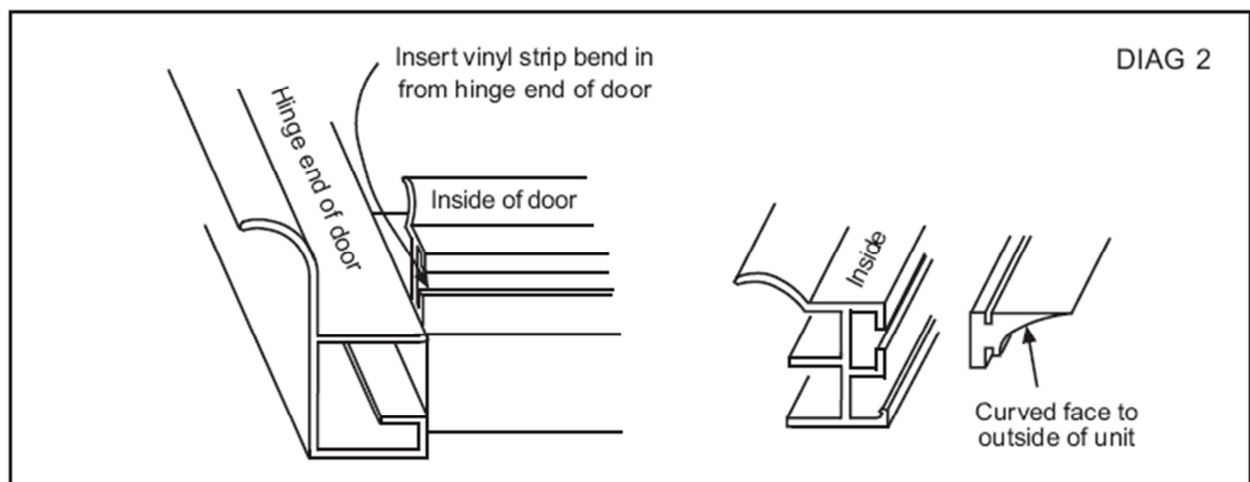
STEP 4

Make sure the frame is sitting hard down onto the tray and if necessary adjust the door by moving it sideways over the profiles until the bottom of the door is parallel with the outer frame.

STEP 5

Secure the door by drilling through the predrilled holes in the outer door frame into the wall profiles with a 3mm drill. Secure at the top and bottom on each side with the #6 x 12mm square drive screws provided. Carefully remove the tapes holding the top and bottom spacers and remove spacers. Open the door and check that it swings freely and locates onto the magnet.

6mm frameless door only Fit the chrome handle to the door glass now. Proceed to STEP 7.



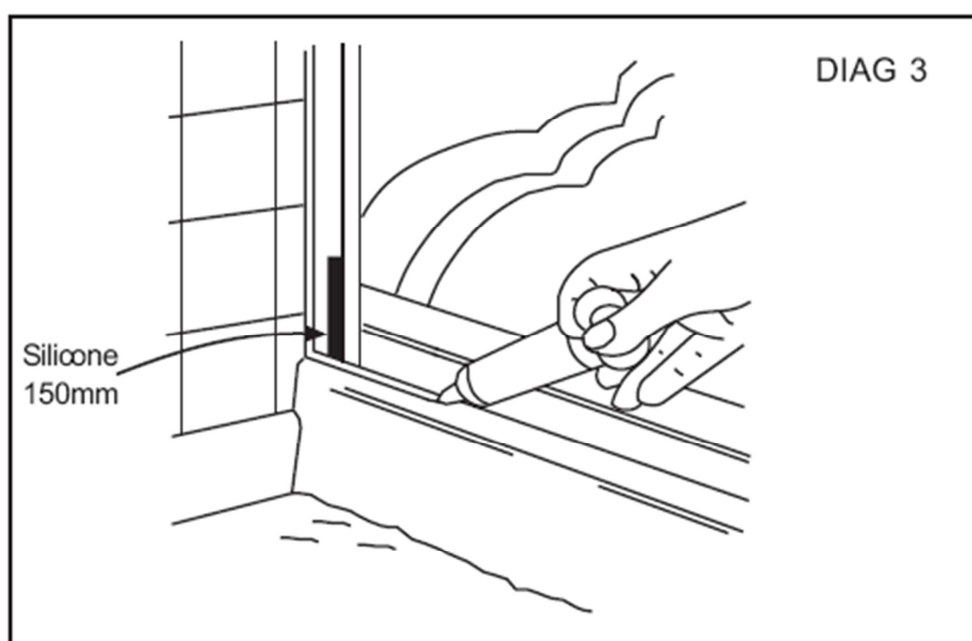
STEP 6

4mm framed door only The vinyl seal fits to the bottom of the door panel. While it is possible to fit it with the door in place you may find it more convenient to remove the door. Refer Diag 2.

Remove the door from inside the unit, starting with the door closed securely onto its magnet. Carefully remove the top pivot block mounting screws, but hold the block in position in case the door swings open. Holding the top block securely onto the rail, open the door. Hold the door with one hand and remove the pivot block from the top pin, then tilt the panel towards the magnet side of the door until you have sufficient room to lift the door up off the bottom pivot block and pass the door panel diagonally through the outer frame to the outside.

To fit vinyl seal

Cut an arrowhead on the vinyl seal and insert it in the slot provided under the bottom edge of the door. Insert from the hinge end with the 'curved' face of the vinyl seal facing the outside of the unit. Trim to full width of door and reinstall. An application of silicone spray to the slot in the bottom of the door will greatly assist installation. Do not spray the vinyl strip or it will be hard to grip (Diag 2). Refit the door.



STEP 7

Silicone around the outside perimeter of the frame and 150mm up the joint between the wall profile and the door frame. Do not silicone inside the unit. Allow 24hrs for silicone to cure (Diag 3).

STEP 8

In the unlikely event that the magnetic door catch fails to hold the door closed, check that both the magnets contact 100% across full widths of the magnetic strips. If they do not, align the door correctly by either adjusting the pivot blocks or by moving the entire frame (see STEP 4). If they still fail to hold, push out the white nylon retainer from the top end of the magnetic strip on the door panel, carefully remove the magnetic strip, turn it over 180° (top to bottom) and refit.

STEP 9

6mm frameless doors only Push fit the chrome covers to the glass clamp on the door glass, cut and fit the bottom seal to each side of the chrome covers.