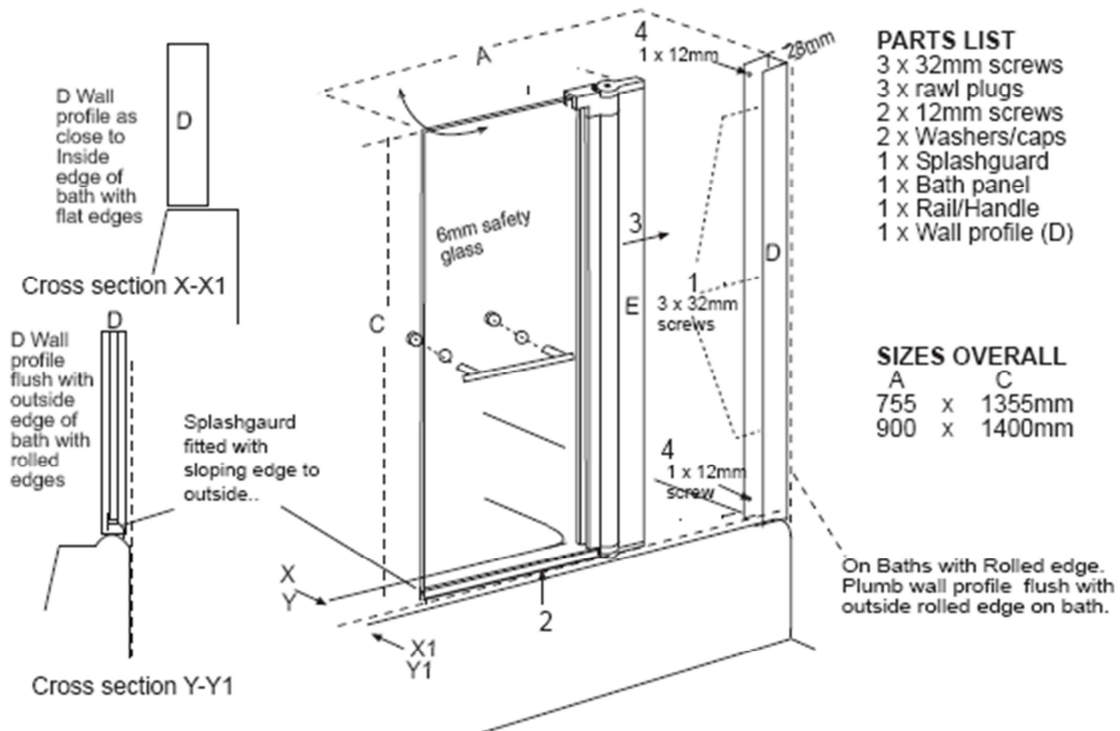


## INSTALLATION INSTRUCTIONS FOR VENICE BATH PANEL

**GENERAL** These doors can be fitted to the edge of acrylic baths. The bottom pivot must be supported on the bath. Where the bath has a flat surface the unit should be installed as close as possible toward the inside edge of the bath and where the bath has a rolled edge, the wall profile should be placed flush with the outside edge of the bath and the bottom pivot should be supported directly on the rolled edge of the bath.



**NB: Do not suspend the unit above the bath, the bottom pivot must be in contact with the bath surface.**

- STEP 1** **On baths with a flat edge surround**, see cross section X-X1 above, mark a plumbline up the wall at the end of the bath, as close to the inside edge of the bath as possible and install the wall profile (D) into solid fixing. Silicone the wall profile to the wall before screwing home, then silicone wall profile (D) from top to bottom and along the bottom outside edge..  
**On baths with a rolled edge**, see cross section Y-Y1 above, place the wall profile vertically on the wall, with the outside edge flush with the outside face of the rolled edge of the bath. Install into solid fixing or use rawl plugs and 32mm screws provided.
- STEP 2** Fit the splashguard to the bottom of the glass panel (2), with the single vertical edge of the seal to the inside of the bath and the sloping face of the seal on the outside of the panel. See cross section Y-Y1.
- STEP 3** Slide glass panel (3) into wall profile. Make sure the bottom pivot is supported on the bath and adjust within the wall profile so that the panel is parallel to bath across the bottom edge.
- STEP 4** Secure panel with 12mm screws with washers and screw cap covers through the wall profile (D) into the extrusion (E), which supported the pivoting glass panel. Fix at top and bottom on the inside of the bath panel. Fit the handle to the glass panel. Silicone the bottom edge of the pivot mount to the bath on the outside joint only.