

INSTALLATION INSTRUCTIONS FOR HYDRA AND MARBELLA SHOWER DOOR 2 SIDED UNITS

GENERAL These doors can be fitted to acrylic and tile trays. Wall profiles are positioned according to Table C below. The wall profiles are siliconed and screwed in place. The large and small side panels are temporarily located in position and sealed to the wall profiles on the outer edges. The bars above and below the door are fitted to the glass and aligned to the tray edges, then the door glass is fitted and the unit is siliconed to the base from the outside only.

Diagram 1

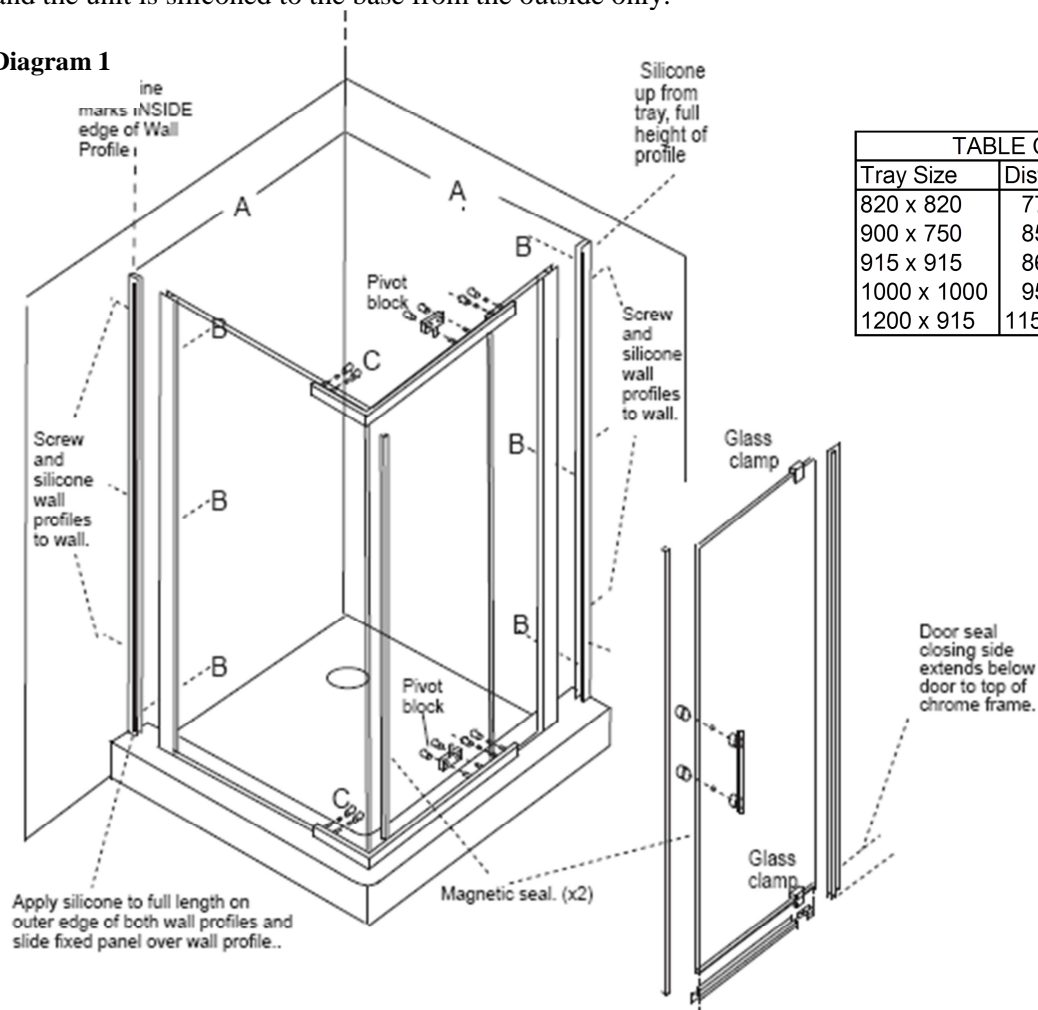


TABLE C	
Tray Size	Dist A (mm)
820 x 820	770 x 770
900 x 750	850 x 700
915 x 915	865 x 865
1000 x 1000	950 x 950
1200 x 915	1150 x 865

PARTS LIST

Fixed glass side panels	x2
Glass door panel with glass clamps	x1
Vertical door seal	x1
Bottom door seal	x1
Magnetic strips (set)	x1
90° chrome bars with pivot blocks - with dome nuts and nylon washers	x2
Chrome hinge covers	x4
Door handle	x1
Tube of silicone (tile unit only)	x1
Accessory Pack	x1

Accessory Pack includes:

Rawl plugs	x6
#6 x 40mm pan square screws	x6
#6 x 12mm pan square screws (B)	x6
Door packer	x1
#6 snap caps	x6

SHOWER DOOR FITTING INSTRUCTIONS

Note this shower unit has exposed glass edges. Always wear appropriate safety wear when handling and installing. Panels are not under warranty for breakage on site after delivery.

STEP 1 Measure distance (A) from the internal corner of the acrylic liner (90° bend) or from the face of the tiled wall and plumb a pencil line up to the wall. See Table C for distances – using this measurement will ensure wall profiles straddle the Aquacheck drain channel on Newline Acrylic shower trays.

STEP 2 Position the wall profiles to the outside of the line. Drill through the profile into solid fixing in the wall. Fit rawl plugs if required. Silicone the back edge of the wall profile and screw the profile to the wall with #6 x 40mm screws. Apply silicone to full height on the outer edge of both wall profiles, refer Diag 1.

STEP 3 Slide both fixed panels into place onto the wall profiles. Take care when placing the bottom edge of the exposed glass down onto tiles. Product warranty applies to quality of glass produced, it does not apply where breakages occur on site during installation.

STEP 4 Fit top and bottom bars into the holes in the glass with nylon washers on each side of the glass. Fit studs through large panel first then to smaller panel adjacent to door opening. Fit dome nuts to secure. Do not over tighten.

STEP 5 Fit the handle to the door panel. **Do not** place the raw edge of glass on concrete floor. NOTE Door handle styles may vary and not match those shown on Diag 1.

STEP 6 Fit the pivot block to the bottom rail. Retain the top pivot block and dome nuts in a handy position then place the glass clamp fitted to the bottom edge of the door glass, onto the bottom pivot. Push the door glass carefully into position under the top rail. Place the top pivot into the glass clamp fitted to the top edge of the door glass and secure the pivot block to the top rail with the dome nuts. **Close the door slowly.** Adjust the pivot blocks and glass clamps to ensure the door has clearance between the pieces of glass on each side when closing.

STEP 7 The gap on the pivot side of the door is approximately 5-10mm. Ensure door glass is parallel with the bottom bar and secure the fixed panels to the wall profiles with #6 x 12mm pan square screws. Refer (B) on Diag 1.

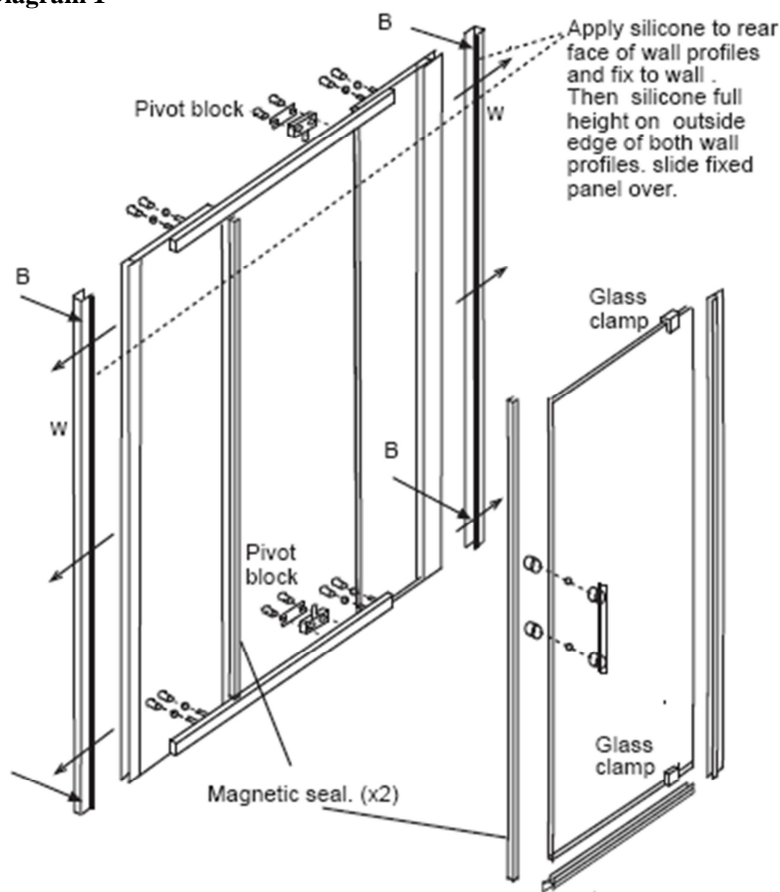
STEP 8 Fit the magnetic seals and door seals in the following order. The vertical seal on the pivot side of the door is fitted first. Ensure it hangs below the bottom edge of the door glass and is cut to just clear the bottom rail on opening. Fit the magnetic seal to the opening side of the door in a similar fashion, then the magnetic strip to the side panel. Fit the bottom door seal between the two vertical seals.

STEP 9 Silicone the outside perimeter of the shower from the top edge of the wall profile down to the tray across the bottom edge of the glass and frame and up the opposite side to the top of the wall jamb in one continuous bead. Silicone the top edge and vertical ends of the bottom bar where it overlaps onto the glass. Silicone the outside only.

INSTALLATION INSTRUCTIONS FOR HYDRA AND MARBELLA SHOWER DOOR 3 SIDED UNITS

GENERAL These doors can be fitted to acrylic and tile trays. Wall profiles are positioned centrally over the Aquacheck drain channel moulded into the Newline acrylic trays or as far as practicable toward the inside edge of the sill on tiled shower units. The wall profiles are siliconed and screwed in place. The large and small side panels are temporarily located in position and sealed to the wall profiles on the outer edges. The bars above and below the door are fitted to the glass and aligned to the tray edges, then the door glass is fitted and the unit is siliconed to the base from the outside only.

Diagram 1



PARTS LIST

Fixed glass side panels	x2
Glass door panel with glass clamps	x1
Vertical door seal	x1
Bottom door seal	x1
Magnetic seals (set)	x1
Wall profiles (W)	x2
Straight bars	x2
- with dome nuts and nylon washers	
Pivot Blocks with nuts/washers	x2
Door handle	x1
Tube of silicone (for tile units only)	x1
Accessory Pack	x1

Accessory Pack includes:

Rawl plugs	x6
#6 x 40mm pan square screws	x6
#6 x 12mm pan square screws 'B'	x6
Pivot covers	x4
- Chrome (Marbella)	
- White (Hydra)	
#6 snap caps	x6
Door packer	x1

SHOWER DOOR FITTING INSTRUCTIONS

Note this shower unit has exposed glass edges. Always wear appropriate safety wear when handling and installing. Panels are not under warranty for breakage on site after delivery.

STEP 1 Plumb wall profiles 'W' in position on each side of shower opening. Place centrally over the Aquacheck drain channel moulded into Newline acrylic trays or as far as is practicable toward the inside edge of the sill on tiled shower units.

STEP 2 Drill through the wall profile into the solid fixing in the wall. Fit rawl plugs if required. Silicone the back edge of the wall profile and screw the profile to the wall with #6 x 40mm screws. Then apply a thin bead of silicone to the full height on the outer edge of both wall profiles.

STEP 3 Decide which side the door will be hinged on and make sure the bottom chrome bar has the holes for the pivot block mounting placed on the correct side. Slide both fixed panels into place onto the wall profiles. Take care when placing the bottom edge of the exposed glass down onto tiles. Product warranty applies to quality of glass produced, it does not apply where breakage occurs on site during installation.

STEP 4 Fit top and bottom bars through holes in glass side panels with a nylon washer on each side of the glass. Fit dome nuts to secure. Do not over tighten. Remove the top pivot block from the top bar.

STEP 5 Fit the handle to the door panel. **Do not** place the raw edge of glass on concrete floor. NOTE Door handle styles may vary and not match those shown on diagram 1

STEP 6 Fit the pivot block to the bottom rail. Retain the top pivot block and dome nuts in a handy position then place the glass clamp fitted to the bottom edge of the glass, onto the bottom pivot. Push the door glass carefully into position under the top rail. Place the top pivot block into the glass clamp fitted to the top edge of the door glass and secure the pivot block to the top rail with the dome nuts. **Close the door slowly.** Adjust the pivot blocks and glass clamps to ensure the door has clearance between the pieces of glass on each side when closing.

STEP 7 Ensure door glass is parallel with bottom bar and secure the fixed panels to the wall profiles with #6 x 12mm pan head screws. See position B on diagram.

STEP 8 Fit the magnetic seals and door seals in the following order. The vertical seal on the pivot side of the door is fitted first. Ensure it hangs below the bottom edge of the door glass and is cut to just clear the bottom rail on opening. Fit the magnetic seal to the door panel in similar fashion, then the magnetic strip on the side panel. Fit the bottom door seal between the two vertical seals.

STEP 9 Silicone the outer perimeter of the shower from the top edge of the wall profile down to the tray across the bottom edge of the glass and frame and up the opposite side to the top of the wall jamb in one continuous bead. Silicone the top edge and vertical ends of the bottom bar where it overlaps onto the glass.

INSTALLATION INSTRUCTIONS FOR HYDRA AND MARBELLA SHOWER DOOR NEO ANGLE UNITS

GENERAL These doors can be fitted to Newline acrylic and tile trays. Wall profiles are positioned according to table C in the installation guide. The wall profiles are siliconed and screwed in place. The large and small side panels are temporarily located in position and sealed to the wall profiles on the outer edges. The bars above and below the door are fitted to the glass and aligned to the tray edges, then the door glass is fitted and the unit is siliconed to the base from the outside only.

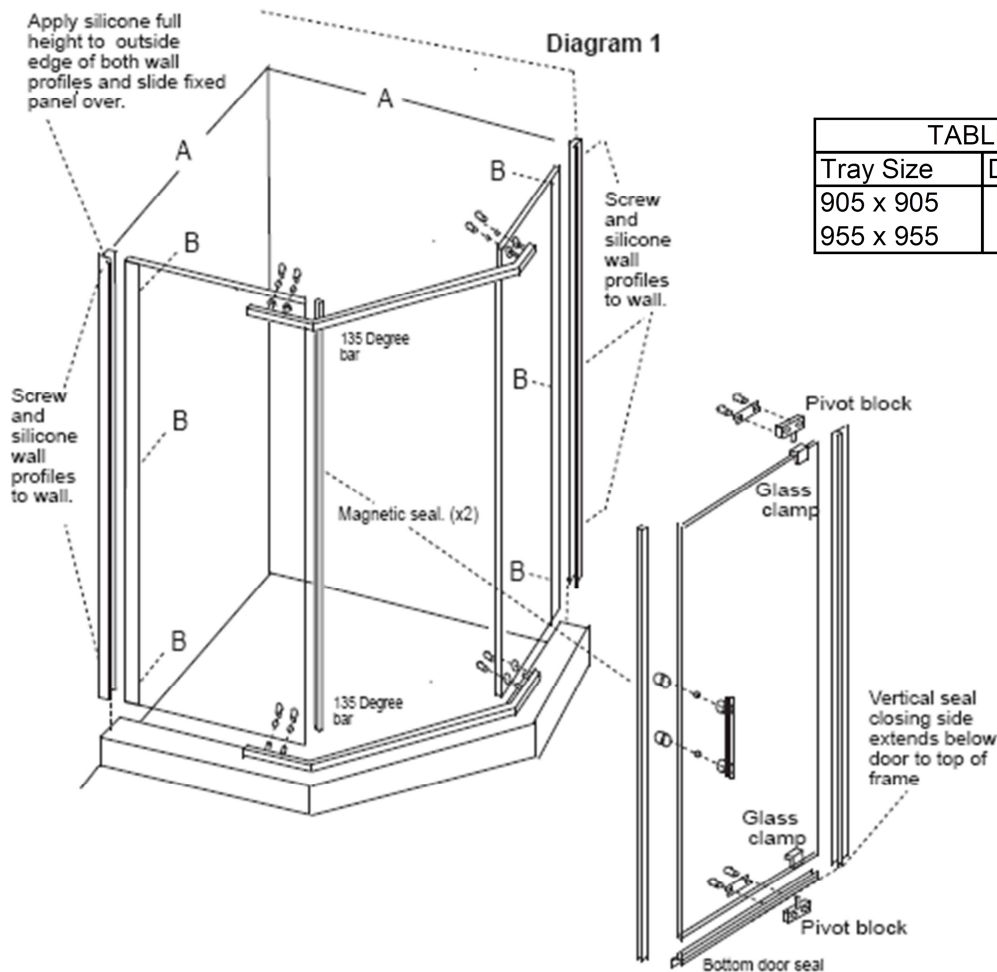


TABLE C	
Tray Size	Dist A (mm)
905 x 905	855
955 x 955	905

PARTS LIST

Fixed glass side panels	x2
Glass door panel with glass clamps	x1
Vertical door seal	x1
Bottom door seal	x1
Magnetic seals (set)	x1
135° bars	x2
- with dome nuts and nylon washers	
Wall profiles	x2
Tube of silicone (tile only)	x1
Accessory Pack	x1

Accessory Pack includes:

Rawl plugs	x6
#6 x 40mm pan square screws	x6
#6 x 12mm pan square screws (B)	x6
Door handle	x1
#6 snap caps	x6
Door packer	x1
Hinges covers (H)	x4
- Chrome (Marbella)	
- White (Hydra)	

SHOWER DOOR FITTING INSTRUCTIONS

Note this shower unit has exposed glass edges. Always wear appropriate safety wear when handling and installing. Panels are not under warranty for breakage on site after delivery.

STEP 1 Measure distance 'A' from the internal corner of the acrylic liner (90° bend) or from the face of the tiled wall and plumb a pencil line up the wall. See table C for distances – Standard Newline acrylic trays or tiled units.

STEP 2 Position wall profiles to the outside of the line. Drill through the profile into solid fixing in the wall. Fit rawl plugs if required. Silicone the back of the wall profile and screw the profile to the wall with #6 x 40mm screws. Apply a thin bead of silicone to full height on the outer edge of both profiles. Refer Diag 1.

STEP 3 Slide both fixed panels into place onto the wall profiles. Take care when placing the bottom edge of the exposed glass down onto tiles. Product warranty applies to quality of glass produced, it does not apply where breakages occur on site during installation.

STEP 4 Fit top and bottom bars into the holes in the glass with nylon washers on each side of the glass. It may be necessary to remove then refit studs from one side of the bar. Fit dome nuts and washers to secure. Do not over tighten. Remove the pivot block from the top bar.

STEP 5 Fit the handle to the door panel. **Do not** place the raw edge of glass on concrete floor. NOTE Door handle styles may vary and not match those shown on diagram 1

STEP 6 Fit the pivot block to the bottom rail. Retain the top pivot block and dome nuts in a handy position then place the glass clamp fitted to the bottom edge of the glass, onto the bottom pivot. Push the door glass carefully into position under the top rail. Place the top pivot into the glass clamp fitted to the top edge of the door glass and secure the pivot block to the top rail with the dome nuts. **Close the door slowly.** Adjust the pivot blocks and glass clamps to ensure the door has clearance between the pieces of glass on each side when closing.

STEP 7 The gap on the hinge side of the door is approximately 5-10mm. Ensure door glass is parallel with the bottom bar and secure the fixed panels to the wall profiles with #6 x 12mm pan head screws. See position B on diagram.

STEP 8 Fit the magnetic seals and door seals in the following order. The vertical seal on the pivot side of the door is fitted first. Ensure it hangs below the bottom edge of the door glass and is cut to just clear the bottom rail on opening. Fit the magnetic seal to the door in similar fashion then the one on the side panel. Fit the bottom door seal between the two vertical seals.

STEP 9 Silicone the outer perimeter of the shower from the top edge of the wall profile down to the tray across the bottom edge of the glass and frame and up the opposite side to the top of the wall jamb in one continuous bead. Silicone the top edge and vertical ends of the bottom bar where it overlaps onto the glass.

INSTALLATION INSTRUCTIONS FOR PROFINISH TILE TRAY

The ProFinish Tile Shower Tray provides slope to the waste for application of a waterproofing membrane. It is not a flooring substrate and must be fully supported by a suitable substrate such as concrete, timber, particle board, plywood or fibre cement sheeting. The ProFinish Tile Tray is installed after wall cladding is fixed but before tiles are laid. A **waterproof membrane must be applied** to the ProFinish Tray. (We recommend it is also applied to all bathroom surfaces where tiles are laid, floor and wall.)

IMPORTANT!!

**THE PROFINISH TILE TRAY MUST NOT BE REBATED
INTO THE WALL CLADDING
i.e WET GIB, VILLA BOARD.**

**ALL TILED WALLS AND FLOOR TO BE LAID AFTER BASE IS
INSTALLED AND WATERPROOFING COMPLETED.**

!!! EXTREMELY IMPORTANT !!!

*****TILE WASTE FLANGE MUST BE
INSTALLED INTO FLOOR BEFORE GLUING
TRAY DOWN *****

FLOOR PREPARATION

Make sure the floor is clean, free of dust, oil, grease or sealant and is an even flat surface. Check using a spirit level and if necessary use a suitable levelling compound to **correct any unevenness or any hollows in the floor.**

NB Damage can occur to areas outside the shower where water penetrates tile grout. When fitting tiles to timber floors we recommend the use of Hardies slate/tile underlay and application of a waterproof membrane.

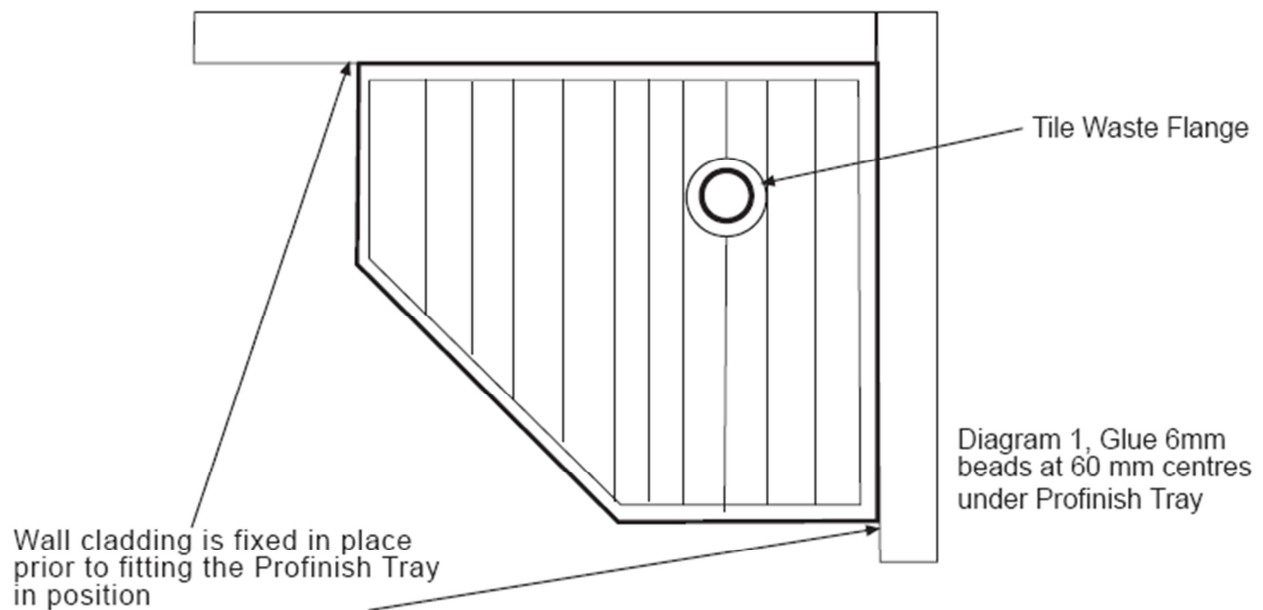
FITTING THE TILE TRAY

Place the ProFinish Tile Tray in position and mark the external perimeter of the base and the position of the waste flange with a pencil. Remove the base and fit the waste outlet in the floor.

NB We recommend the use of Allproof LC4 leak control waste flanges.

Once the waste has been installed, place the ProFinish Tile Tray back into position. Use a sharp knife to cut around the outside of the waste flange until the base fits neatly around the waste flange outer perimeter.

Lift the tray and apply the Maxbond adhesive supplied within the marked tray perimeter in 6mm beads of glue, in lines 60mm apart, commencing 25mm in from the outer edges (Diag 1). Fit back into place and press firmly over the entire surface. To ensure better adherence it is suggested that the base be weighted to the floor for at least 1 hour.



WATERPROOFING INSTRUCTIONS

Waterproof Membranes

Once the base is secured to the floor, it is ready for the application of your choice of waterproof membrane. Listed below are waterproofing manufacturers who have approved their product for application to the ProFinish tray and their warranty's. **Please ensure your waterproofer or tiler uses one of these products. Refer Table 1.** Many of the products listed are available for D.I.Y applications, we recommend that you contact one of the certified contractors listed, to apply the waterproofing. (Most manufacturer's warranties are voided if an approved person is not used to apply them).

Application of waterproofing

Apply the waterproof membrane according to the manufacturer's instructions. Ensure waterproofing is applied down into the leak control flange and up the inside vertical face of the foam sill (hob), across the top edge and down to the floor line on the outside of the ProFinish Tray. Where frameless doors are to be fitted, it is recommended that floor areas outside the shower should also have a waterproofing membrane applied, prior to tiling

NOTE: Some waterproofing brands require a primer to be applied to the ProFinish Tray prior to the application of their waterproofing products.

COMPANY	PRODUCT	CONTACT	WARRANTY
Ardex	SUPERFLEX WPM 001 SUPERFLEX WPM 002	03 373 6900	15 Years
ASA/Bostik	DAMPFIX 2, 3 DAMPFIX PU	09 270 3168	15 Years
Construction Chemicals (NZ) Ltd	HYRDATHANE LIQUID FLASH 2-PACK	09 273 5444	15 Years
Equus Industries Ltd	CHEVALINE DEXX	03 578 0214	15 Years
Jaydex International Ltd	ELASTIK	0800 529 339 OR 09 444 1751	15 Years
Kerakoll	IDROBUILD	09 525 0600	15 Years
Laticrete	LATICRETE 9235	0800 480 018	15 Years
Mapei	MAPEGUM WPS MAPELASTIC	09 921 1994	20 Years
Marshall Waterproofing NZ/Aust Ltd	PROTECTO WRAP AFM/WM	0800 776 9727	15 Years
Protective Surfaces	STRATAFLEX	09 441 6292	15 Years
Flexco (NZ) Ltd	FLEXI-SEAL & MIRACRYL 2 PART	0800 426 844 OR 09268 6970	15 Years
HB Fuller	WPM 101	09 275 6062	15 Years
Wet-Seal	Must be applied by licensed trained applicators	0800 436 000	15 Years
Custom Building Products	RED GUARD	096340712	15 Years