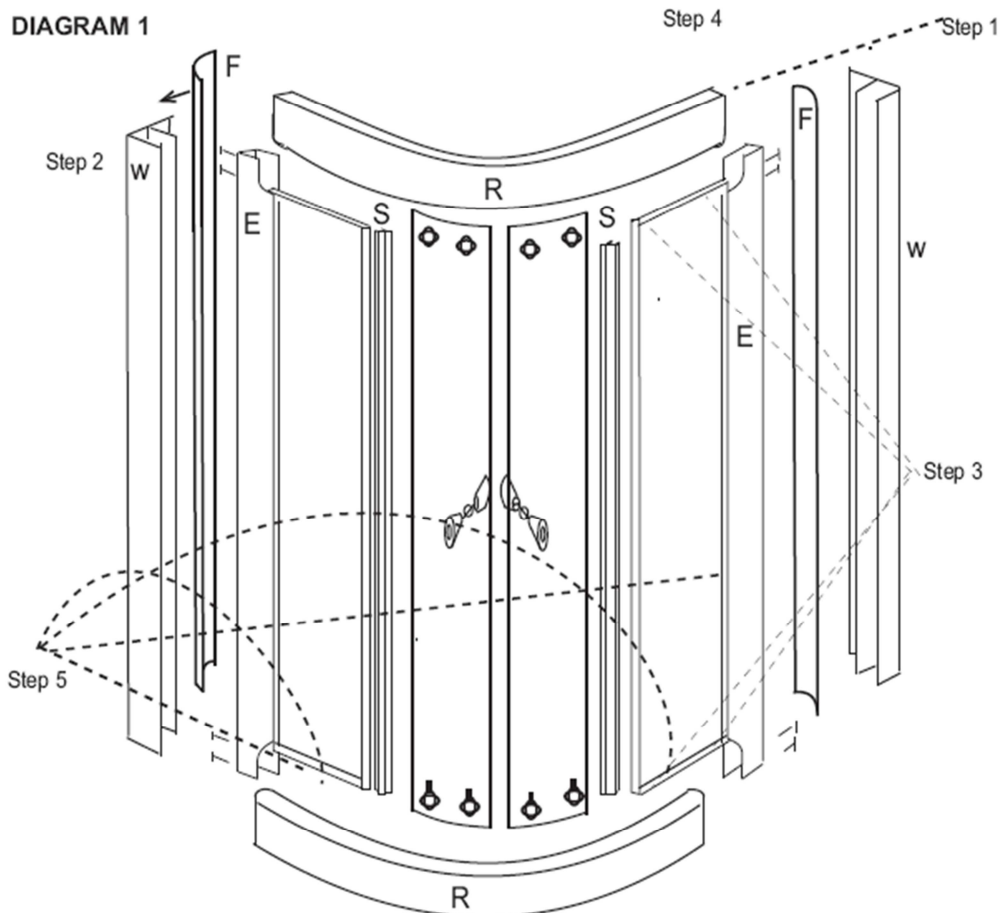


INSTALLATION INSTRUCTIONS FOR DELTA AND RIVIERA ROUND DOOR

GENERAL These doors can be fitted to acrylic and tile trays. Curved rails (R) are inserted into and screwed to the vertical rails (E). The wall profiles (W) are pushed onto the partially assembled frame and then the frame is positioned on the tray. Wall profiles (W) are plumbed, marked for position, siliconed and secured to the side walls. Flat glass is inserted into (E) and fixed to top and bottom rails. The frame is positioned parallel with the tray front, part (W) is siliconed and fixed to the walls. Door rollers and magnets are fitted, doors are hung and adjusted and seals are fitted to fixed panels. The unit is then siliconed in one continuous bead on the outside of the shower. Shower trays should be level and walls should be plumb before installation is attempted.



PARTS LIST

R	Curved rails	x2		
E	Side rails	x2		
W	Wall profiles	x2	<i>Accessory Pack includes:</i>	
	Rectangular glass panels	x2	Lengths glazing bead wedge	x1
	Curved glass door panels	x2	Door knobs	x2
	Magnetic strips for door panels	x2	Wheel assemblies (4 top, 4 bottom)	x8
S	Rigid vertical water seals for flat panels	x2	#6 x 25mm pan head screws	x14
F	Curved aluminium infill screw cover caps		#6 x 10mm screws	x4
	1850mm long	x2	#6 x 12mm pan head screws	x4
	Accessory Pack	x1	Rawl plugs	x6

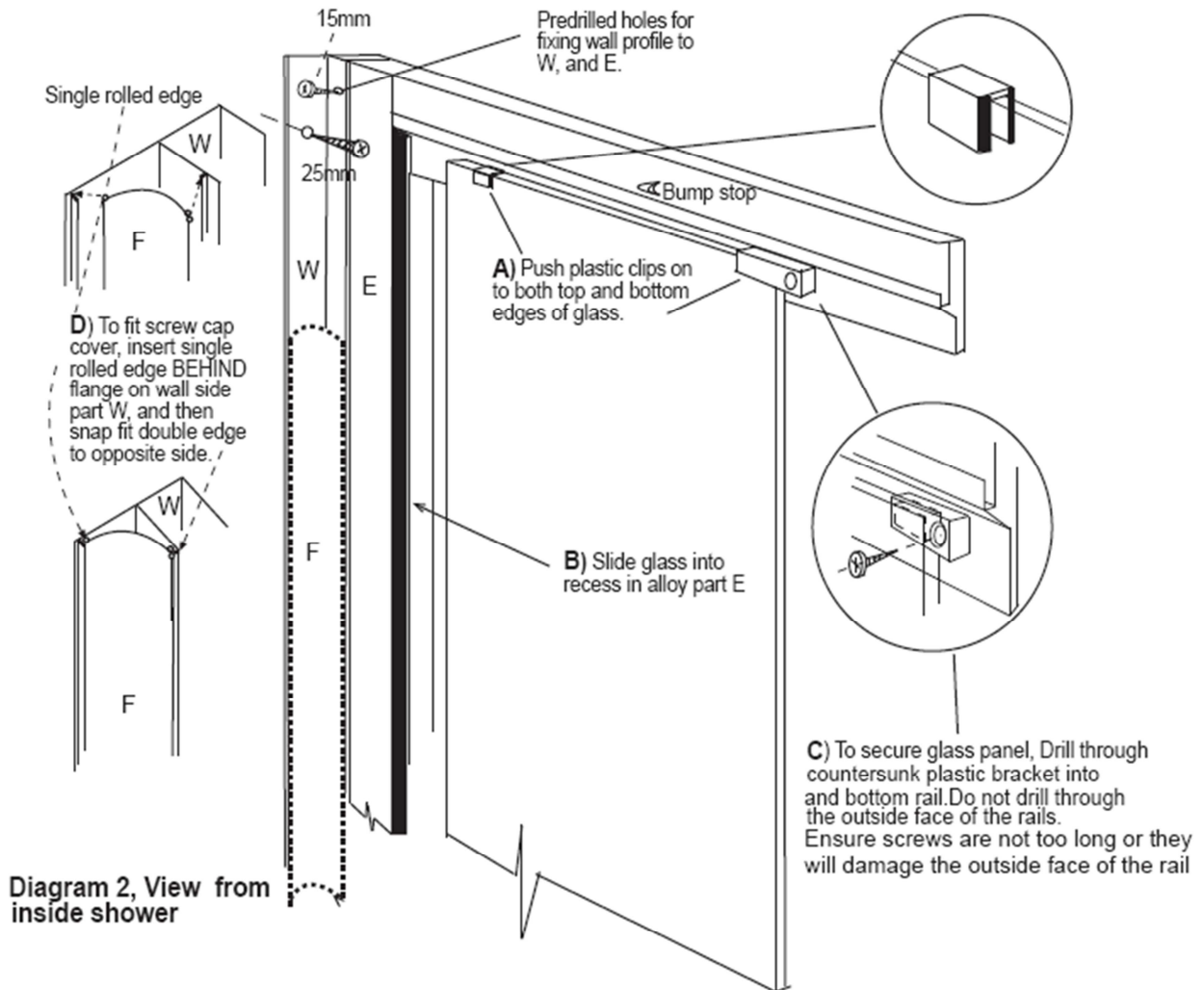
SHOWER DOOR FITTING INSTRUCTIONS

Refer to Diag 1 for STEPS 1-5.

STEP 1 Fit the predrilled rails (R) to side rails (E) using eight of the #6 x 25mm pan head screws.

STEP 2 Push fit wall profiles (W) on to each side of the shower frame (E). Place frame in position evenly around the shower tray. Plumb wall profiles on each side. Mark the hole positions. Drill into solid fixing if possible and secure (W) with the remaining six #6 x 25mm pan head screws. If no solid fixing is available use rawl plugs provided. Silicone between wall profile and wall liner before final fixing. Check the curved rail is parallel and even on the tray. Adjust position if required.

STEP 3 Place plastic clips onto the rectangular panels as shown at (A) in Diag 2 on the next page, place in position so that the safety glass standard marks are at the bottom. Place glass in position between the top and bottom rails, on the inside of the shower. Slide the glass into vertical open slot in extrusion (E). See enlargement Diag 2 (B). Fix at top and bottom on outer edge of each panel. Make sure screws are not too long, or they will damage the outside face or the rail when fixing. Refer Diagram 2C.



STEP 4 Align the curved panels with the holes for the door handle in the centre adjacent to each other. Fit the roller assemblies to the outside curve of the glass. Roller assembly packets are labelled 'top' and 'bottom'. Fit top rollers with the Phillips head adjusting screw, facing downwards towards the door handle. Bottom roller assemblies are spring loaded with the button facing up, towards the door handle. After fitting the rollers hang the door glass on top rail (R) in between the prefitted bump stops. Let the door hang on the top rollers. Take note of the position of the bottom rollers, both rollers should be resting against the rail. If they are not, turn the adjusting screws on the top rollers, until both bottom wheels rest against the bottom rail. Push down on the spring loaded pin in the bottom set of wheels and locate the rollers under the lip in the bottom track. Fit the magnetic seal to the centre of the doors. Adjust the wheel assembly to ensure the doors meet evenly on the magnets grip. **The rollers should be lubricated with a silicone spray periodically when in use to ensure good running order is maintained.**

STEP 5 Fit the glazing wedge vertically between the glass and extrusion (E) and between the glass and rail (R) along the bottom edge, on the outside of the shower, or alternatively use clear silicone to seal the joint.

STEP 6 Secure the side rails (E) to the wall profile (W) at top and bottom with #6 x 12mm pan head screws. Snap fit the curved aluminium filler strip (F) to cover the mounting screws in the wall and the screws just fitted into (E). The curve on the alloy follows the curve of the glass (concave). Fit the single rolled edge behind the flange on the wall side of part (W), then snap fit the double rolled edge against the door/frame side refer (D) on Diag 2 on the next page.

STEP 7 Silicone the outer perimeter of the unit to the wall liner and the tray in one continuous bead on the outside of the shower.

STEP 8 Fit chrome door knobs supplied in accessory pack.

INSTALLATION INSTRUCTIONS FOR PROFINISH TILE TRAY

The ProFinish Tile Shower Tray provides slope to the waste for application of a waterproofing membrane. It is not a flooring substrate and must be fully supported by a suitable substrate such as concrete, timber, particle board, plywood or fibre cement sheeting. The ProFinish Tile Tray is installed after wall cladding is fixed but before tiles are laid. A **waterproof membrane must be applied** to the ProFinish Tray. (We recommend it is also applied to all bathroom surfaces where tiles are laid, floor and wall.)

IMPORTANT!!

**THE PROFINISH TILE TRAY MUST NOT BE REBATED
INTO THE WALL CLADDING
i.e WET GIB, VILLA BOARD.**

ALL TILED WALLS AND FLOOR TO BE LAID AFTER BASE IS
INSTALLED AND WATERPROOFING COMPLETED.

!!! EXTREMELY IMPORTANT !!!

*****TILE WASTE FLANGE MUST BE
INSTALLED INTO FLOOR BEFORE GLUING
TRAY DOWN *****

FLOOR PREPARATION

Make sure the floor is clean, free of dust, oil, grease or sealant and is an even flat surface. Check using a spirit level and if necessary use a suitable levelling compound to **correct any unevenness or any hollows in the floor.**

NB Damage can occur to areas outside the shower where water penetrates tile grout. When fitting tiles to timber floors we recommend the use of Hardies slate/tile underlay and application of a waterproof membrane.

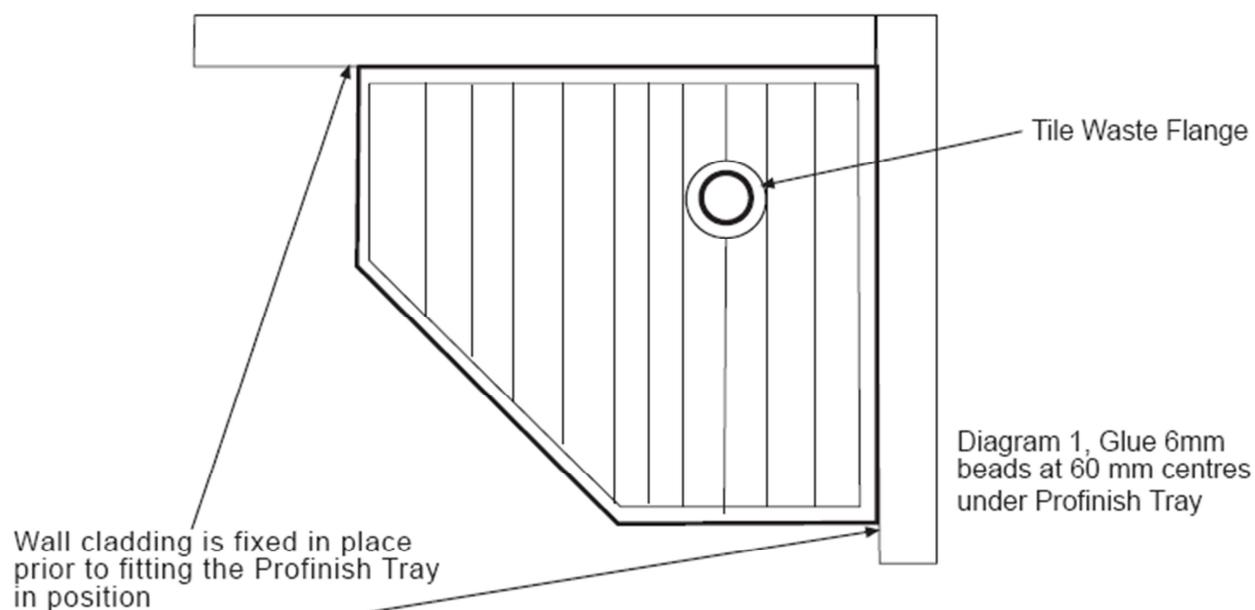
FITTING THE TILE TRAY

Place the ProFinish Tile Tray in position and mark the external perimeter of the base and the position of the waste flange with a pencil. Remove the base and fit the waste outlet in the floor.

NB We recommend the use of Allproof LC4 leak control waste flanges.

Once the waste has been installed, place the ProFinish Tile Tray back into position. Use a sharp knife to cut around the outside of the waste flange until the base fits neatly around the waste flange outer perimeter.

Lift the tray and apply the Maxbond adhesive supplied within the marked tray perimeter in 6mm beads of glue, in lines 60mm apart, commencing 25mm in from the outer edges (Diag 1). Fit back into place and press firmly over the entire surface. To ensure better adherence it is suggested that the base be weighted to the floor for at least 1 hour.



WATERPROOFING INSTRUCTIONS

Waterproof Membranes

Once the base is secured to the floor, it is ready for the application of your choice of waterproof membrane. Listed below are waterproofing manufacturers who have approved their product for application to the ProFinish tray and their warranty's. **Please ensure your waterproofer or tiler uses one of these products. Refer Table 1.** Many of the products listed are available for D.I.Y applications, we recommend that you contact one of the certified contractors listed, to apply the waterproofing. (Most manufacturer's warranties are voided if an approved person is not used to apply them).

Application of waterproofing

Apply the waterproof membrane according to the manufacturer's instructions. Ensure waterproofing is applied down into the leak control flange and up the inside vertical face of the foam sill (hob), across the top edge and down to the floor line on the outside of the ProFinish Tray. Where frameless doors are to be fitted, it is recommended that floor areas outside the shower should also have a waterproofing membrane applied, prior to tiling
NOTE: Some waterproofing brands require a primer to be applied to the ProFinish Tray prior to the application of their waterproofing products.

COMPANY	PRODUCT	CONTACT	WARRANTY
Ardex	SUPERFLEX WPM 001 SUPERFLEX WPM 002	03 373 6900	15 Years
ASA/Bostik	DAMPFIX 2, 3 DAMPFIX PU	09 270 3168	15 Years
Construction Chemicals (NZ) Ltd	HYRDATHANE LIQUID FLASH 2-PACK	09 273 5444	15 Years
Equus Industries Ltd	CHEVALINE DEXX	03 578 0214	15 Years
Jaydex International Ltd	ELASTIK	0800 529 339 OR 09 444 1751	15 Years
Kerakoll	IDROBUILD	09 525 0600	15 Years
Laticrete	LATICRETE 9235	0800 480 018	15 Years
Mapei	MAPEGUM WPS MAPELASTIC	09 921 1994	20 Years
Marshall Waterproofing NZ/Aust Ltd	PROTECTO WRAP AFM/WM	0800 776 9727	15 Years
Protective Surfaces	STRATAFLEX	09 441 6292	15 Years
Flexco (NZ) Ltd	FLEXI-SEAL & MIRACRYL 2 PART	0800 426 844 OR 09268 6970	15 Years
HB Fuller	WPM 101	09 275 6062	15 Years
Wet-Seal	Must be applied by licensed trained applicators	0800 436 000	15 Years
Custom Building Products	RED GUARD	096340712	15 Years